

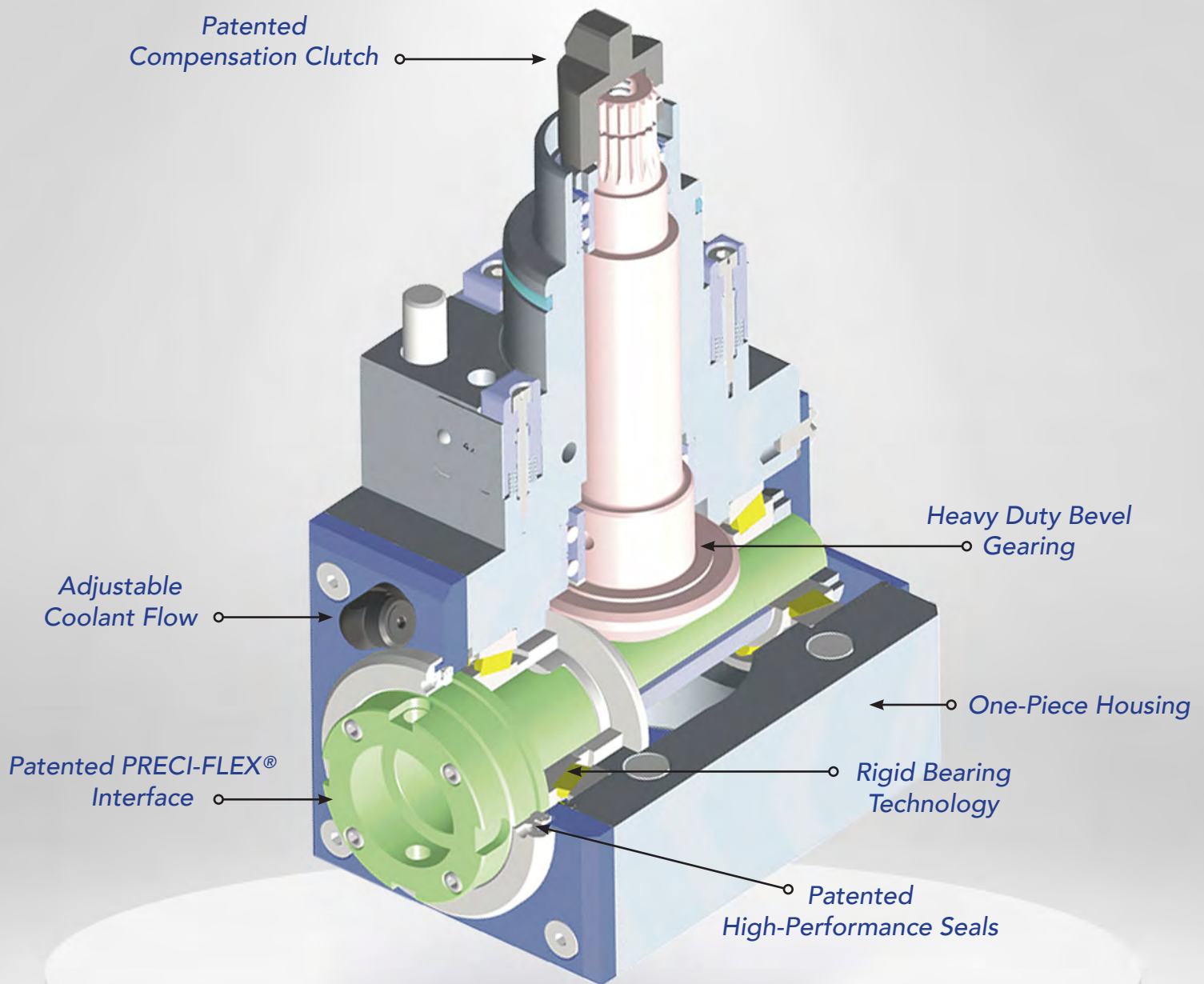


COMPLETE TOOLING SYSTEMS FOR CNC TURNING CENTERS



**EPPINGER**  
TECHNOLOGIES

# OVERVIEW OF EPPINGER DRIVEN TOOLS INNOVATIVE TECHNOLOGIES

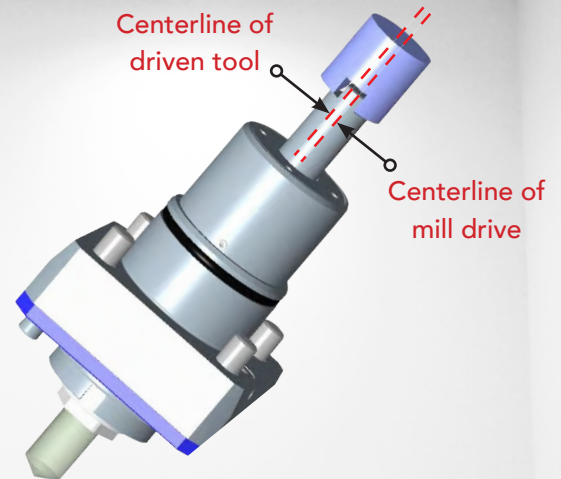


# INNOVATIVE DESIGNS: COMPENSATION CLUTCH

## ISSUE:

The centerline of the tool station and the centerline of the mill drive are often slightly misaligned. This creates excessive vibration between the mill drive and the tool holder's drive train.

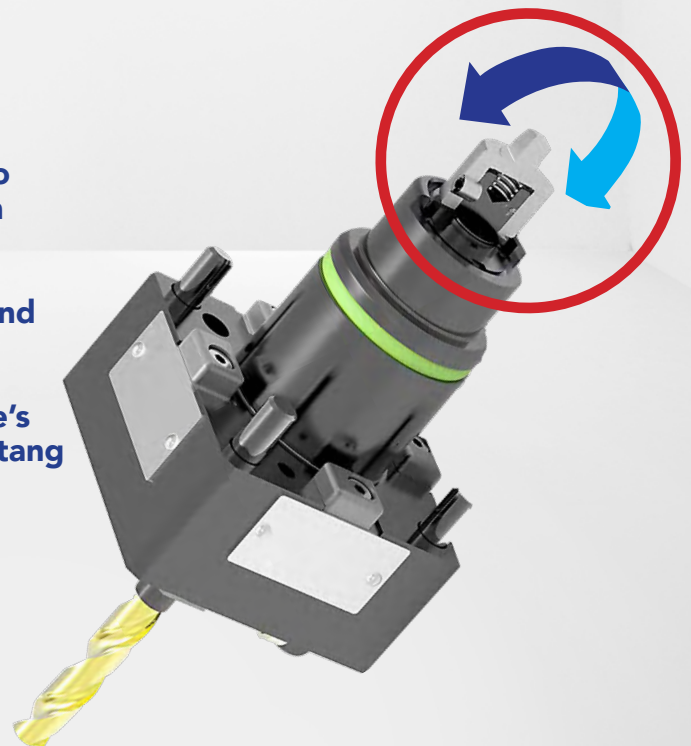
- **Premature wear on the tool holder drive tang, bearings, drive shaft, and drive gears**
- **More expensive repairs since entire drive shaft often needs replaced**
- **Reduced cutting tool life from excessive chatter**



## SOLUTION:

Eppinger's patented Compensation Clutch technology provides some 'play' between the mill drive and the tool holder drive tang that dampens vibration.

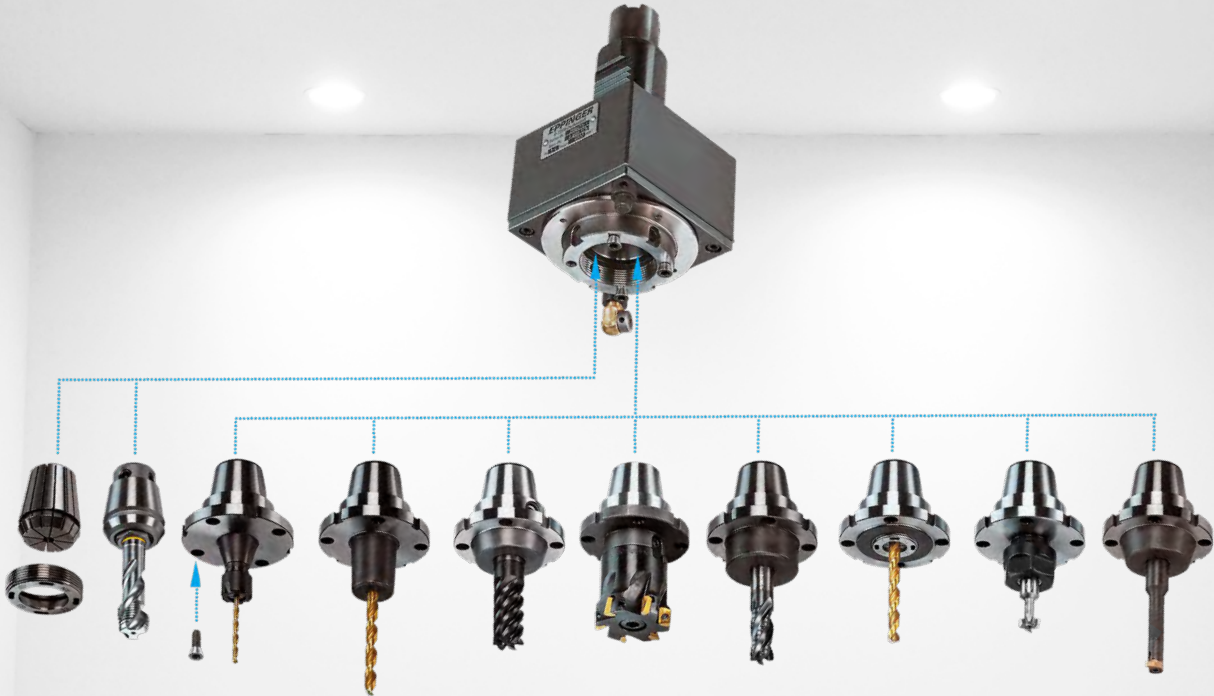
- **Longer tool holder service intervals**
- **Simplified repairs since it costs less to replace a drive coupling instead of an entire drive shaft assembly**
- **Improved cutting tool performance and tool life**
- **Contact surface between the machine's mill drive and the tool holder's drive tang is increased up to 60% providing for greater torque transmission**



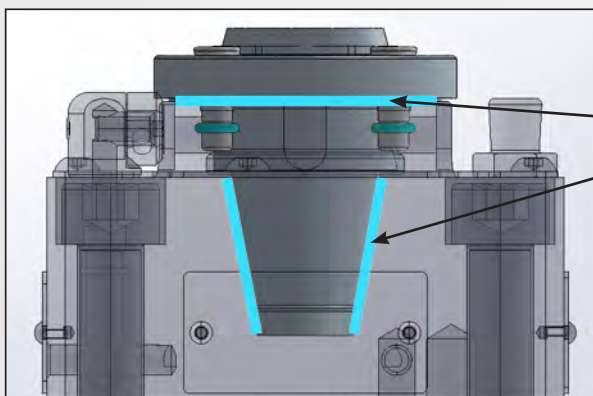


# INNOVATIVE DESIGNS: PRECI-FLEX® MODULAR TOOLING SYSTEM

EXPAND THE CAPABILITIES AND EFFICIENCY OF YOUR DRIVEN TOOLS



- **Modular tool outputs include collet, collet chuck, side-lock holder, face mill holder, and shrink fit holder**
- **Minimal projection increases rigidity to improve cutting tool performance and tool life**
- **Pre-Settable Offline – Increase spindle uptime by presetting the next job or even dull or broken tools**
- **Change tools with the holder still in the turret**



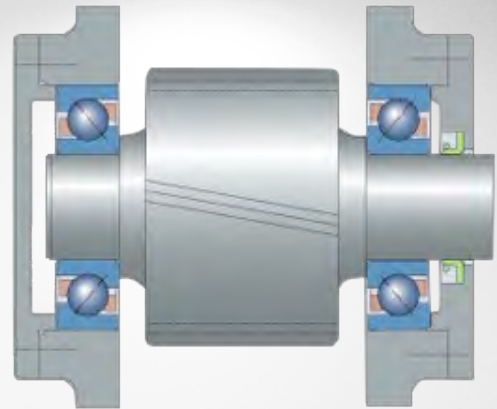
*Taper & face contact  
increases rigidity*

# INNOVATIVE DESIGNS: **TAPERED ROLLER BEARINGS**

## THE COMPETITION

### ANGULAR CONTACT BEARINGS

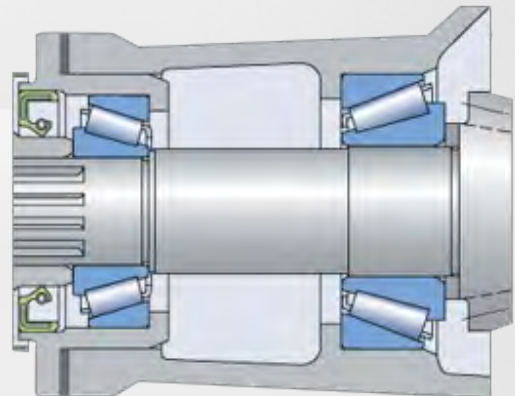
- Most commonly used spindle bearings because of ease of assembly
- Limited contact between rolling elements and race, which reduces side load capacity in small diameter bearings
- Lower radial load capacity means limiting the machining operations the driven tool can perform



## EPPINGER

### TAPERED ROLLER BEARINGS

- Greater contact between rolling elements and race, which increases rigidity and side-load capacity in small diameter bearings
- Greater radial load capacity allows for higher chip load and increased metal removal rates

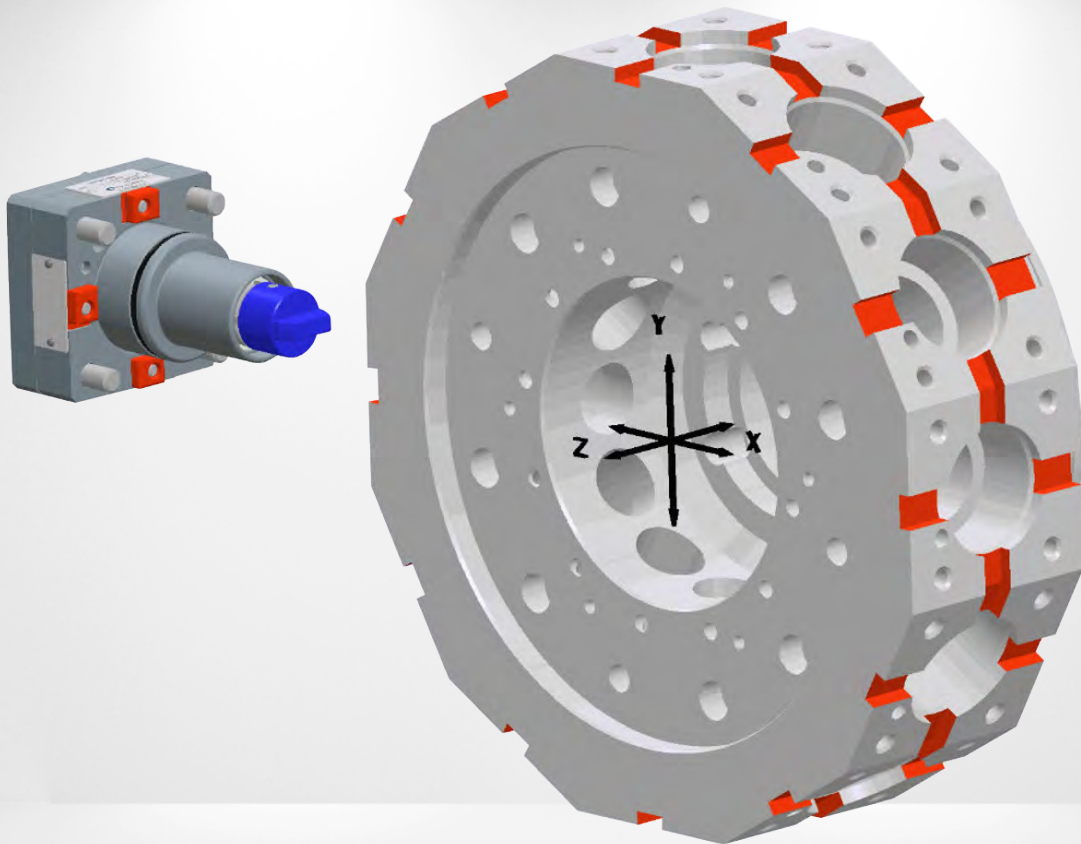


# INNOVATIVE DESIGNS: 4-KEY PRESET ALIGNMENT

## ISSUE:

Aligning the tool holder in a BMT tool station takes too much time.

- **Lost machining time, less efficiency**
- **Excessive labor costs to simply align the tool**



## SOLUTION:

Eppinger's patented 4-key preset alignment technology ensures correct alignment.

- **No additional time-consuming adjustments**
- **Positioning repeatability < 0.005mm**
- **Alignment to machine < 0.010mm**



# EPPINGER TOOL REPAIR SERVICES

Exsys Automation Inc., an Eppinger Technologies company, is the **ONLY** company in North America providing factory authorized service on Eppinger Driven Tools using 100% genuine OEM parts.

Our factory-trained technicians restore your driven tool to 'like-new' performance parameters.

Our Florida-based repair department appreciates that production time is money, so we turn around the service on your driven tools **FAST!**

Our service department can repair virtually any make and model of driven tools.


Service evaluation is free-of-charge and you are provided a quote prior to any service work being performed.

**ALL EPPINGER  
TOOL REPAIR SERVICE IS  
BACKED BY A BEST-IN-CLASS  
1-YEAR WARRANTY.**



# ONLINE TOOL CONFIGURATOR

Everything you need to find the right tool at your fingertips!

**EXSYS**   
**AUTOMATION**

Search by Part Number

Click here and discover the right EPPINGER product

Search Help For Tool Holder

**Quick Search**

Manufacturer: All

Model: All

Werkzeughalter: All

4608 Products

Complete Offering

Detailed Search

**FIXED TOOL HOLDER**

**ROTARY TOOL HOLDER**

**PRECIFLEX**

**DECOFLEX**

**Contact**

EXSYS Automation Inc.  
15200 Citrus Country Drive  
Dade City, Florida 33523  
USA  
800-397-9748 - Toll Free Phone  
800-397-9739 - Toll Free Fax  
352-588-4345 - Phone  
352-588-4821 - Fax  
quotes@exsysautomation.com  
www.exsysautomation.com

**Shopping List**

Shopping List is Empty

*Finding the right tool has never been easier!*

1. Visit: [exsysautomation.com](http://exsysautomation.com) and go to our online catalog.
2. Search by part number directly, or find your machine make and model to view all available tooling.
3. Access tech specs, datasheets, simulation models and more.

## WANT SOME ADDITIONAL INFORMATION?

Please send all warranty holders or repair holders to:

EXSYS Automation, Inc., an Eppinger Technologies company  
15200 Citrus Country Drive  
Dade City, Florida 33523  
**RMA : (Please Reference)**

Contact us today!

For service: [service@exsysautomation.com](mailto:service@exsysautomation.com)

For sales: [quotes@exsysautomation.com](mailto:quotes@exsysautomation.com)

or call **800-397-9748**

For RMA line, put RMA# :

*(Please contact us before sending)*

**EPPINGER**  
TECHNOLOGIES

Home of

