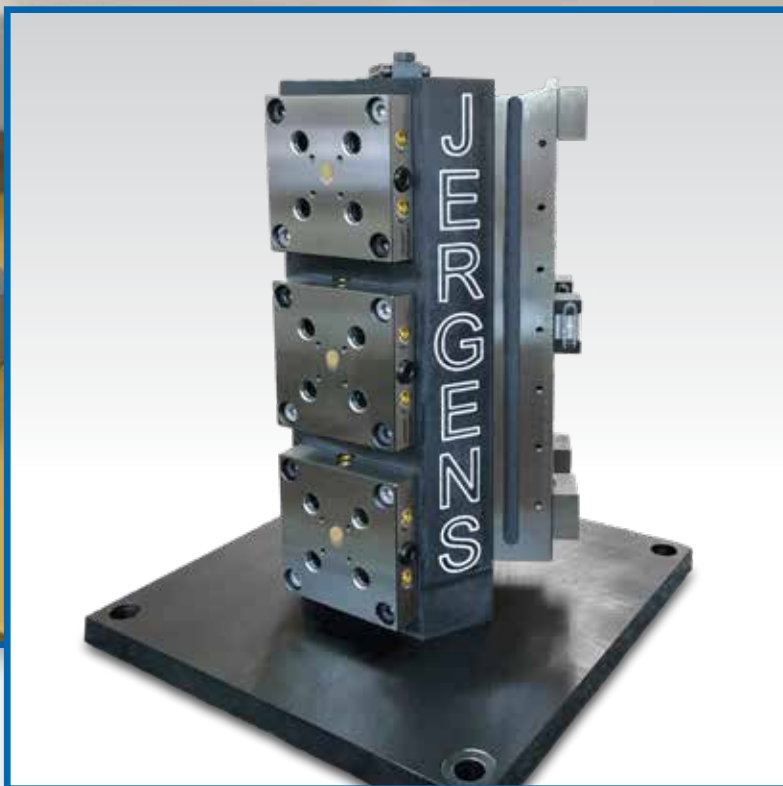
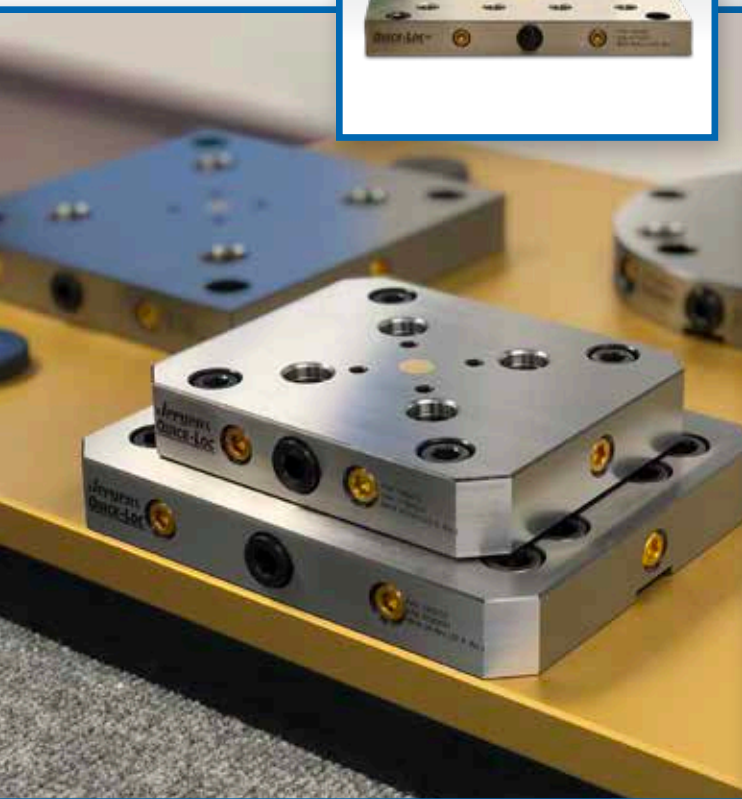




Jergens QUICK-LOC™

MADE IN USA

QUICK CHANGE FIXTURING





Jergens Company Profile

Jergens Inc. was founded in 1942 by Jack Schron, Sr. and his father Christy, to provide standard components for building jigs and fixtures. Today the fourth generation of family involvement continues stronger than ever. Throughout its 75-year history the company has grown into four separate operating divisions: Tooling Component Division (TCD), Jergens Industrial Supply (JIS), Acme Industrial Company (AIC), and Advanced Systems Group (ASG) Division of Jergens. While all divisions are vital to the Jergens family, the TCD Division is the centerpiece of our manufacturing capabilities. In June 1999, Jergens moved into a new 110,000 square foot facility and prides itself by manufacturing over 80% of its product offering, as well as setting the standard for producing the highest quality components in our industry.

Jergens Tooling Component Division comprises three distinct business units: Workholding Solutions, Lifting Solutions and Specialty Fasteners. Building on its reputation of uncompromising quality standards, Jergens is committed to helping its customers achieve leaner, more profitable manufacturing, and continues to add products and engineered solutions for an integrated approach to “Manufacturing Efficiency.”

Today, you’ll find our tooling components, fasteners and hoist rings at work in just about every industry on every continent. And our innovative Quick Change Workholding Solutions like Ball Lock[®] Mounting System, Fixture-Pro[®] 5-Axis Workholding and Zero Point Systems have changed the way manufacturers worldwide think about productivity.

Jergens actively supports global, multinational and internationally based customers with metric dimensioned product offerings as well as many inch threaded products that are common in aerospace and industrial applications around the world. In important manufacturing markets in Canada, Europe, Asia and Latin America, Jergens representatives and stocking distributors have represented Jergens for more than 30 years. Our international representatives are trained technically on our products and provide expertise to customers and sub dealers in applying Jergens technologies to local industries. In recent years, two wholly owned affiliates were formed to serve the Chinese and Indian markets. Jergens (Shanghai) Commercial Co., Ltd, opened in 2006 and Jergens India Private Ltd., Navi Mumbai India opened in 2009. These fully registered trading subsidiaries employ trained multi-lingual engineers and commercial managers who provide marketing and importing, warehousing, distribution and technical support to our customers, distributors and local representatives.

Additionally, we offer a wide range of metalworking tools, clamps, and supplies to manufacturers in Northeastern Ohio, through our JIS Division. Acme Industrial, located in Carpentersville, Illinois, is a premium manufacturer of precision drill bushings and keylocking thread inserts. Our ASG Division specializes in products for light assembly ranging from torque-controlled electric screwdrivers to automation systems.

In addition to our unique product designs, we lead the industry with unparalleled customer service and delivery. Our website is a good example of our commitment to be the most innovative company in our industry. Customers and distributors can check stock and order on-line, view the Jergens catalog, and even download 2D, 3D and solid model CAD drawings in a variety of formats. Visit our website at www.jergensinc.com for the latest news and product information, as well as links to our other divisions. The Jergens family thanks you for your business.

Jergens, Inc.
Manufacturing Number: 697830
FSCM #94882
ISO 9001: 2015
Registration #00010133

QUICK CHANGE FIXTURING



Receivers

| | |
|-----------------------------------|----|
| 52mm Square Receivers..... | 6 |
| 96mm Square Receivers..... | 6 |
| 52mm Rectangular Receivers | 7 |
| 96mm Rectangular Receivers | 7 |
| 52mm Round Receivers..... | 8 |
| 96mm Round Receivers | 8 |
| 52mm Round Receivers w/ Bore..... | 9 |
| 96mm Round Receivers w/ Bore..... | 9 |
| 52mm Double Grid Receivers | 10 |
| 96mm Double Grid Receivers | 10 |
| 52mm Multi-Grid Receivers..... | 11 |
| 96mm Multi-Grid Receivers..... | 11 |

Reduction Receivers

| | |
|--|----|
| 96–52mm Reduction Receivers..... | 12 |
| 96–52mm Multi-Loc Reduction Receivers..... | 12 |

Risers

| | |
|------------------------------|----|
| 52mm Rectangular Risers..... | 13 |
| 96mm Rectangular Risers..... | 13 |
| 52mm Round Risers | 14 |
| 96mm Round Risers | 14 |

Integrated Risers

| | |
|--|----|
| 52mm Square Integrated Risers | 15 |
| 96mm Square Integrated Risers..... | 15 |
| 52mm Rectangular Integrated Risers..... | 16 |
| 96mm Rectangular Integrated Risers | 16 |
| 52mm Round Integrated Risers..... | 17 |
| 96mm Round Integrated Risers..... | 17 |

Support Pallets

| | |
|-----------------------------------|----|
| 52mm Square Support Pallets | 18 |
| 96mm Square Support Pallets..... | 18 |
| 52mm Round Support Pallets..... | 19 |
| 96mm Round Support Pallets..... | 19 |

Studs, Plugs & Keys

| | |
|---|----|
| Pull Studs | 20 |
| Spacer Studs..... | 20 |
| Pull Stud Installation Dimensions | 20 |
| Plugs | 21 |
| Keys | 21 |

Cubes & Twin Bases

| | |
|-----------------|----|
| 52mm Cubes..... | 22 |
| 96mm Cubes..... | 22 |
| Twin Base | 23 |
| Two Sided..... | 23 |
| Tri Cube..... | 24 |

Rotary Receivers

| | |
|------------------|----|
| 52mm Rotary..... | 25 |
| 96mm Rotary..... | 25 |

Rotary Zero True Adapters

| | |
|---------------------------------|----|
| Rotary Zero True Adapters | 26 |
|---------------------------------|----|

Alignment Tools

| | |
|----------------------|----|
| Alignment Tools..... | 26 |
|----------------------|----|

Center Locating Pins

| | |
|---------------------|----|
| Straight Pins | 27 |
| Step Pins..... | 27 |

Vises

| | |
|--------------------------------|----|
| 75mm Self-Centering Vise | 28 |
| 130mm Self-Centering Vise..... | 28 |

Vise Jaws & Accessories

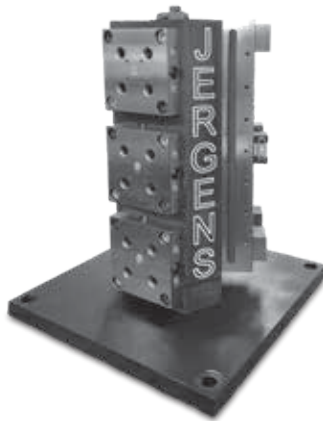
| | |
|--------------------------------------|----|
| Insert Jaw Sets for 75mm Vise | 29 |
| Soft Jaw Sets for 75mm Vise | 29 |
| Step Jaw Set for 75mm Vise..... | 29 |
| Insert Options | 29 |
| Insert Jaw Sets for 130mm Vise | 30 |
| Soft Jaw Sets for 130mm Vise | 30 |
| Step Jaw Set for 130mm Vise | 30 |
| Workstop for 130mm Vise | 30 |





Jergens
QUICK-LOC™
MADE IN USA

A Solution for EVERY Platform



HORIZONTAL



VERTICAL



ROTARY



AVAILABLE IN BOTH
52mm & 96mm PATTERNS



REPEATABILITY
0.0003" (0.008mm)



SOLUTIONS FOR
HORIZONTAL, VERTICAL
AND ROTARY APPLICATIONS

QUICK-LOC™ PALLETS

Jergens new Quick-Loc™ pallets provide fast and repeatable fixture changes for small tooling platforms. They feature a single drive screw for fast operation. The comprehensive selection of base pallets, risers, and accessories allow this system to be configured for multiple applications. They are also compatible with other industry standard 52mm and 96mm pallet systems.



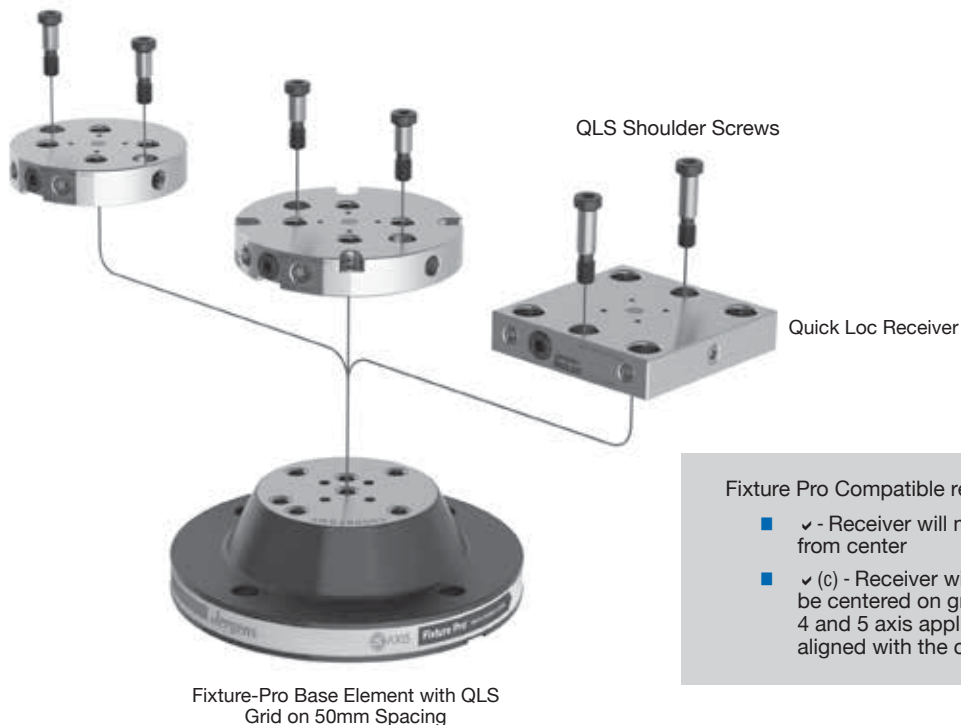
Jergens QUICK-LOC™ Versatile Receiver Mounting Options

Blank - Supplied without Mounting Holes



- Blank receivers are intended to be modified by users to add their own custom mounting holes.
- Jergens can also add custom mounting holes per customer request. Please contact technical sales at 1-877-426-2504 to request quote

Fixture-Pro™ Compatible - QLS Mounting



Fixture Pro Compatible receivers are denoted by ✓ or ✓ (c):

- ✓ - Receiver will mount to 50mm QLS grid offset from center
- ✓ (c) - Receiver will mount to 50mm QLS grid and be centered on grid. These receivers are ideal for 4 and 5 axis applications where the pallet must be aligned with the center of rotation

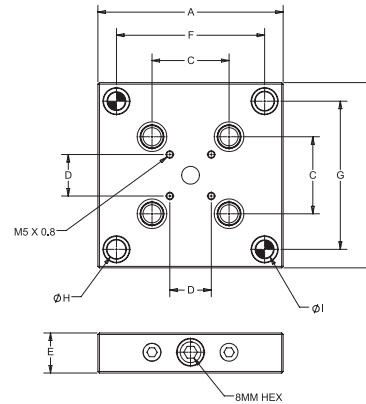


Receivers

Quick Loc™ Receivers provide a platform for fast and accurate mounting of fixtures and workpieces. Square, rectangular, and round styles are available. Units without mounting holes allow users to add their own custom mounting configuration.

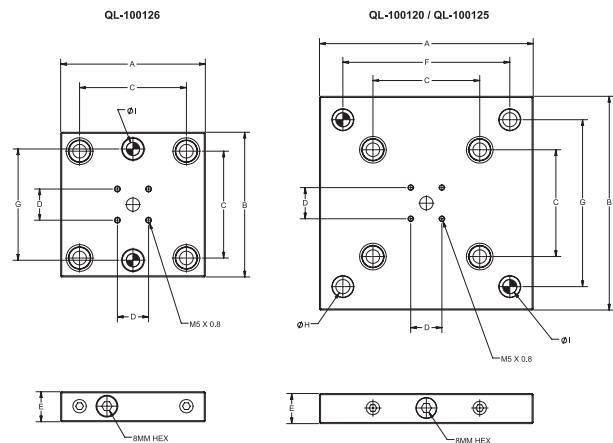
- Material: Alloy Steel
- Heat Treat: Case Hardened, Rc 58-62
- Thickness Tolerance: ±.01mm
- Available with or without mounting holes

52mm Square Receivers



| Part Number | A (mm) | B (mm) | C (mm) | D (mm) | E (mm) | Mounting Holes | F (mm) | G (mm) | H (mm) | I (mm) | Weight lbs (kg) | Max. Torque ft*lbs (Nm) | Pull Stud | Fixture-Pro Compatible |
|-------------|--------|--------|--------|--------|--------|----------------|--------|--------|--------|--------|-----------------|-------------------------|-----------|------------------------|
| QL-100100 | 104 | 104 | 52 | 28 | 27 | No | - | - | - | - | 4.38 (1.99) | 22 (30) | QL-200800 | - |
| QL-100105 | 104 | 104 | 52 | 28 | 27 | Yes | 82 | 82 | 12.7 | 12H7 | 3.97 (1.80) | 22 (30) | QL-200800 | - |
| QL-100110 | 125 | 125 | 52 | 28 | 27 | No | - | - | - | - | 6.46 (2.93) | 22 (30) | QL-200800 | - |
| QL-100115 | 125 | 125 | 52 | 28 | 27 | Yes | 100 | 100 | 12.7 | 12H7 | 6.12 (2.78) | 22 (30) | QL-200800 | ✓ (c) |

96mm Square Receivers



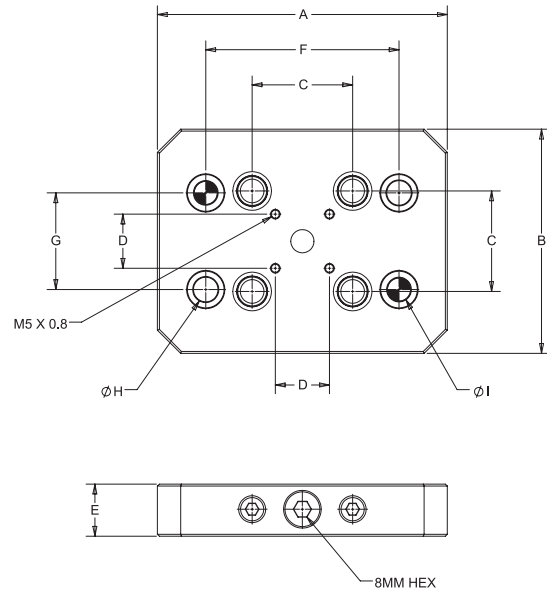
| Part Number | A (mm) | B (mm) | C (mm) | D (mm) | E (mm) | Mounting Holes | F (mm) | G (mm) | H (mm) | I (mm) | Weight lbs (kg) | Max. Torque ft*lbs (Nm) | Pull Stud | Fixture-Pro Compatible |
|-------------|--------|--------|--------|--------|--------|----------------|--------|--------|--------|--------|-----------------|-------------------------|-----------|------------------------|
| QL-100120 | 192 | 192 | 96 | 28 | 27 | No | - | - | - | - | 15.81 (7.17) | 22 (30) | QL-200805 | - |
| QL-100125 | 192 | 192 | 96 | 28 | 27 | Yes | 150 | 150 | 12.7 | 12H7 | 15.44 (7.00) | 22 (30) | QL-200805 | ✓ |
| QL-100126 | 130 | 130 | 96 | 28 | 27 | Yes | - | 100 | - | 12H7 | 6.95 (3.15) | 22 (30) | QL-200805 | ✓ (c) |

✓ - Receiver will mount to 50mm QLS grid offset from center | ✓ (c) - Receiver will mount to 50mm QLS grid and be centered on grid.

QUICK CHANGE FIXTURING » QUICK-LOC™

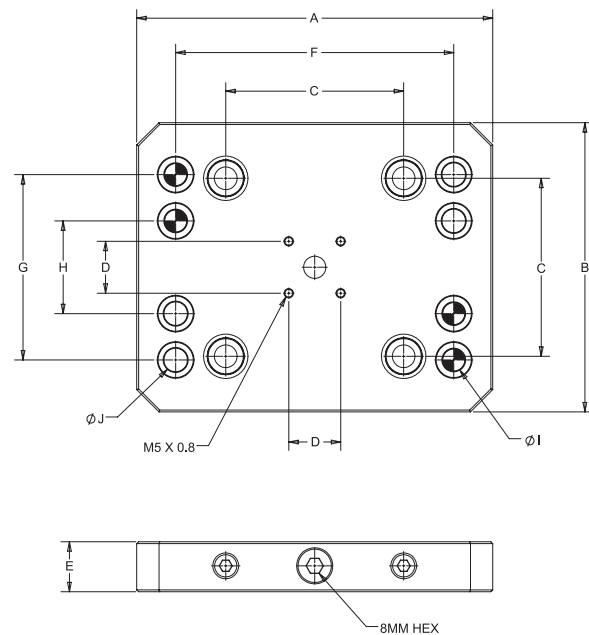


52mm Rectangular Receivers



| Part Number | A (mm) | B (mm) | C (mm) | D (mm) | E (mm) | Mounting Holes | F (mm) | G (mm) | H (mm) | I (mm) | Weight lbs (kg) | Max. Torque ft*lbs (Nm) | Pull Stud | Fixture-Pro Compatible |
|-------------|--------|--------|--------|--------|--------|----------------|--------|--------|--------|--------|-----------------|-------------------------|-----------|------------------------|
| QL-100200 | 150 | 126 | 52 | 28 | 27 | No | - | - | - | - | 7.15 (3.24) | 22 (30) | QL-200800 | - |
| QL-100205 | 150 | 126 | 52 | 28 | 27 | Yes | 100 | 50 | 12.7 | 12H7 | 6.82 (3.09) | 22 (30) | QL-200800 | ✓ |

96mm Rectangular Receivers

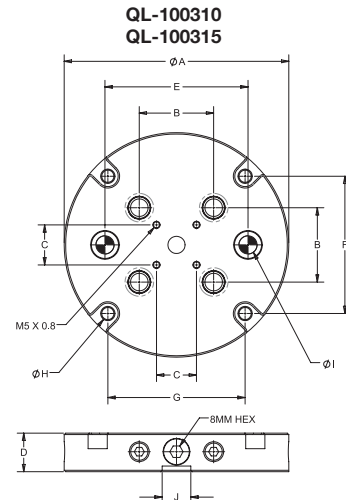
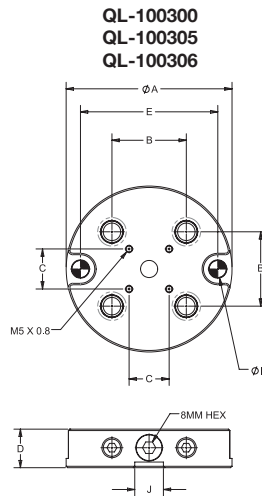


| Part Number | A (mm) | B (mm) | C (mm) | D (mm) | E (mm) | Mounting Holes | F (mm) | G (mm) | H (mm) | I (mm) | J (mm) | Weight lbs (kg) | Max. Torque ft*lbs (Nm) | Pull Stud | Fixture-Pro Compatible |
|-------------|--------|--------|--------|--------|--------|----------------|--------|--------|--------|--------|--------|-----------------|-------------------------|-----------|------------------------|
| QL-100210 | 192 | 156 | 96 | 28 | 27 | No | - | - | - | - | - | 12.61 (5.72) | 22 (30) | QL-200805 | - |
| QL-100215 | 192 | 156 | 96 | 28 | 27 | Yes | 150 | 100 | 50 | 12H7 | 12.7 | 11.77 (5.34) | 22 (30) | QL-200805 | ✓ |
| QL-100216 | 229 | 156 | 96 | 28 | 27 | Yes | 200 | 100 | - | 12H7 | 12.7 | 15.06 (6.83) | 22 (30) | QL-200805 | ✓ (c) |

✓ - Receiver will mount to 50mm QLS grid offset from center | ✓ (c) - Receiver will mount to 50mm QLS grid and be centered on grid.

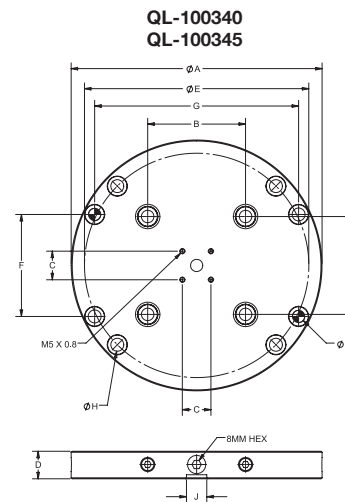
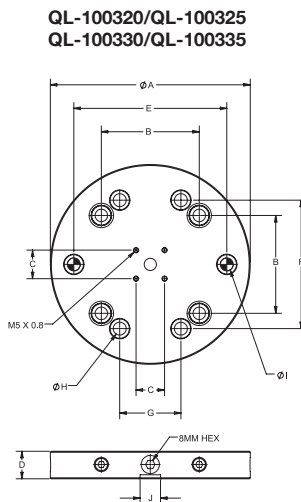


52mm Round Receivers



| Part Number | A (mm) | B (mm) | C (mm) | D (mm) | Mounting Holes | E (mm) | F (mm) | G (mm) | H (mm) | I (mm) | J (mm) | Weight lbs (kg) | Max. Torque ft*lbs (Nm) | Pull Stud | Fixture-Pro Compatible |
|-------------|--------|--------|--------|--------|----------------|--------|--------|--------|--------|--------|--------|-----------------|-------------------------|-----------|------------------------|
| QL-100300 | 116 | 52 | 28 | 27 | No | - | - | - | - | - | - | 4.07 (1.85) | 22 (30) | QL-200800 | - |
| QL-100305 | 116 | 52 | 28 | 27 | Yes | 96 | - | - | - | 12H7 | 20 | 3.61 (1.64) | 22 (30) | QL-200800 | - |
| QL-100306 | 130 | 52 | 28 | 27 | Yes | 100 | - | - | - | 12H7 | 20 | 5.14 (2.33) | 22 (30) | QL-200800 | ✓ (c) |
| QL-100310 | 157 | 52 | 28 | 27 | No | - | - | - | - | - | - | 8.02 (3.64) | 22 (30) | QL-200800 | - |
| QL-100315 | 157 | 52 | 28 | 27 | Yes | 100 | 96 | 96 | 9 | 12H7 | 20 | 7.47 (3.39) | 22 (30) | QL-200800 | ✓ (c) |

96mm Round Receivers



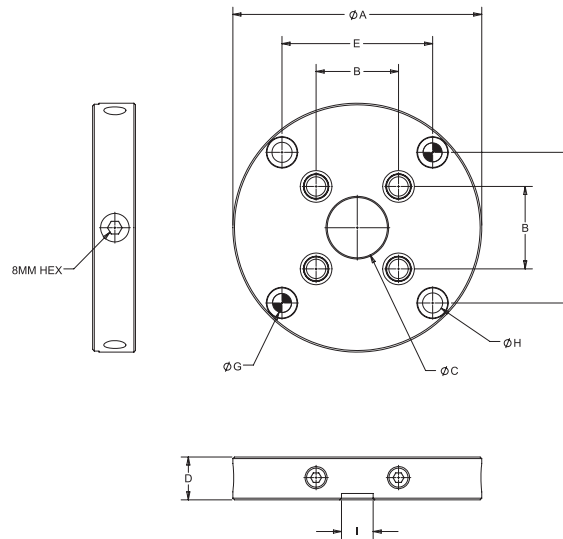
| Part Number | A (mm) | B (mm) | C (mm) | D (mm) | Mounting Holes | E (mm) | F (mm) | G (mm) | H (mm) | I (mm) | J (mm) | Weight lbs (kg) | Max. Torque ft*lbs (Nm) | Pull Stud | Fixture-Pro Compatible |
|-------------|--------|--------|--------|--------|----------------|--------|--------|--------|--------|--------|--------|-----------------|-------------------------|-----------|------------------------|
| QL-100320 | 176 | 96 | 28 | 27 | No | - | - | - | - | - | - | 10.23 (4.64) | 22 (30) | QL-200805 | - |
| QL-100325 | 176 | 96 | 28 | 27 | Yes | 150 | 126 | 60 | 12.7 | 12H7 | 20 | 9.49 (4.30) | 22 (30) | QL-200805 | ✓ |
| QL-100330 | 196 | 96 | 28 | 27 | No | - | - | - | - | - | - | 12.81 (5.81) | 22 (30) | QL-200805 | - |
| QL-100335 | 196 | 96 | 28 | 27 | Yes | 150 | 126 | 60 | 12.7 | 12H7 | 20 | 12.45 (5.65) | 22 (30) | QL-200805 | ✓ |
| QL-100340 | 246 | 96 | 28 | 27 | No | - | - | - | - | - | - | 20.53 (9.31) | 22 (30) | QL-200805 | - |
| QL-100345 | 246 | 96 | 28 | 27 | Yes | 220 | 100 | 200 | 12.7 | 12H7 | 20 | 20.17 (9.15) | 22 (30) | QL-200805 | ✓ (c) |

✓ - Receiver will mount to 50mm QLS grid offset from center | ✓ (c) - Receiver will mount to 50mm QLS grid and be centered on grid.

QUICK CHANGE FIXTURING » QUICK-LOC™

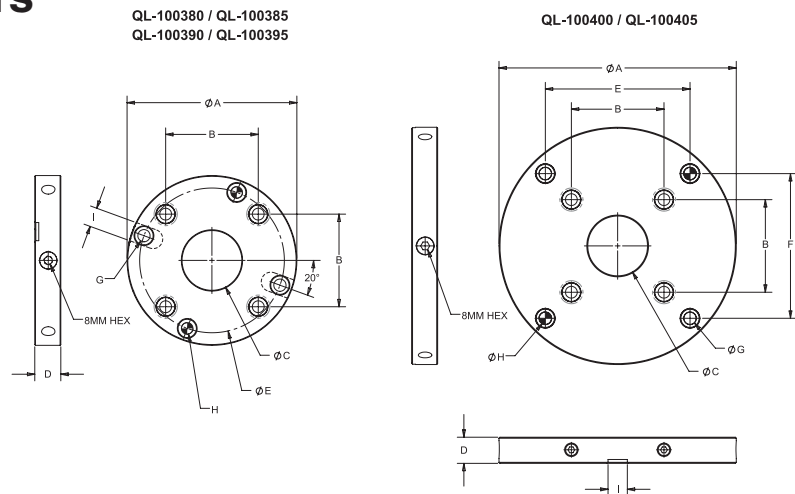


52mm Round Receivers with Bore



| Part Number | A (mm) | B (mm) | C (mm) | D (mm) | Mounting Holes | E (mm) | F (mm) | G (mm) | H (mm) | I (mm) | Weight lbs (kg) | Max. Torque ft*lbs (Nm) | Pull Stud | Fixture-Pro Compatible |
|-------------|--------|--------|--------|--------|----------------|--------|--------|--------|--------|--------|-----------------|-------------------------|-----------|------------------------|
| QL-100370 | 157 | 52 | 38 | 27 | No | - | - | - | - | - | 7.55 (3.42) | 22 (30) | QL-200800 | - |
| QL-100375 | 157 | 52 | 38 | 27 | Yes | 95 | 95 | 12H7 | 12.7 | 20 | 7.19 (3.26) | 22 (30) | QL-200800 | - |

96mm Round Receivers with Bore

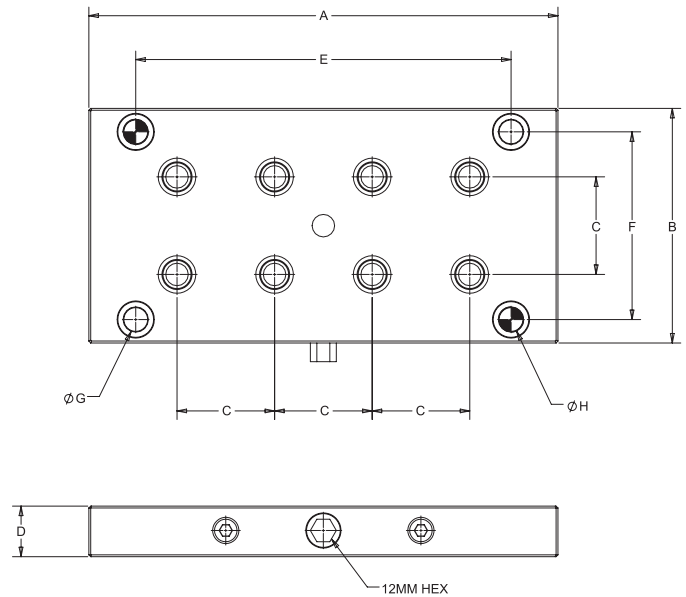


| Part Number | A (mm) | B (mm) | C (mm) | D (mm) | Mounting Holes | E (mm) | F (mm) | G (mm) | H (mm) | I (mm) | Weight lbs (kg) | Max. Torque ft*lbs (Nm) | Pull Stud | Fixture-Pro Compatible |
|-------------|--------|--------|--------|--------|----------------|--------|--------|--------|--------|--------|-----------------|-------------------------|-----------|------------------------|
| QL-100380 | 176 | 96 | 62 | 27 | No | - | - | - | - | - | 8.80 (3.99) | 22 (30) | QL-200805 | - |
| QL-100385 | 176 | 96 | 62 | 27 | Yes | 150 | - | 12.7 | 12H7 | 20 | 8.54 (3.87) | 22 (30) | QL-200805 | - |
| QL-100390 | 196 | 96 | 62 | 27 | No | - | - | - | - | - | 11.48 (5.21) | 22 (30) | QL-200805 | - |
| QL-100395 | 196 | 96 | 62 | 27 | Yes | 150 | - | 12.7 | 12H7 | 20 | 11.22 (5.09) | 22 (30) | QL-200805 | ✓ |
| QL-100400 | 246 | 96 | 62 | 27 | No | - | - | - | - | - | 19.21 (8.71) | 22 (30) | QL-200805 | - |
| QL-100405 | 246 | 96 | 62 | 27 | Yes | 150 | 150 | 12.7 | 12H7 | 20 | 18.95 (8.60) | 22 (30) | QL-200805 | ✓ |

✓ - Receiver will mount to 50mm QLS grid offset from center | ✓ (C) - Receiver will mount to 50mm QLS grid and be centered on grid.

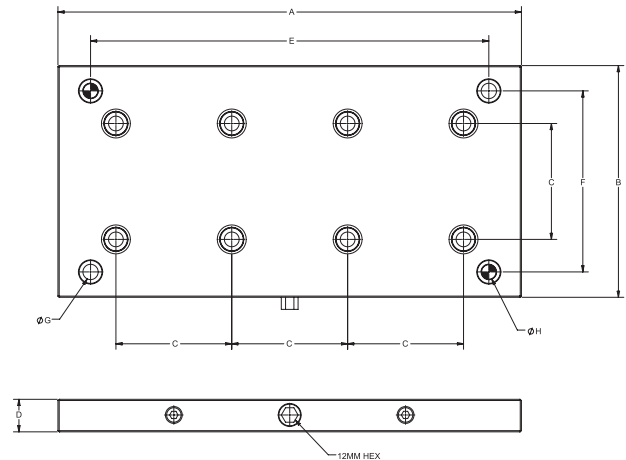


52mm Double Grid Receivers



| Part Number | A (mm) | B (mm) | C (mm) | D (mm) | Mounting Holes | E (mm) | F (mm) | G (mm) | H (mm) | Weight lbs (kg) | Max. Torque ft*lbs (Nm) | Pull Stud | Fixture-Pro Compatible |
|-------------|--------|--------|--------|--------|----------------|--------|--------|--------|--------|-----------------|-------------------------|-----------|------------------------|
| QL-100245 | 250 | 125 | 52 | 27 | No | - | - | - | - | 12.66 (5.74) | 22 (30) | QL-200800 | - |
| QL-100250 | 250 | 125 | 52 | 27 | Yes | 200 | 100 | 12.7 | 12H7 | 12.29 (5.57) | 22 (30) | QL-200800 | ✓ (c) |

96mm Double Grid Receivers

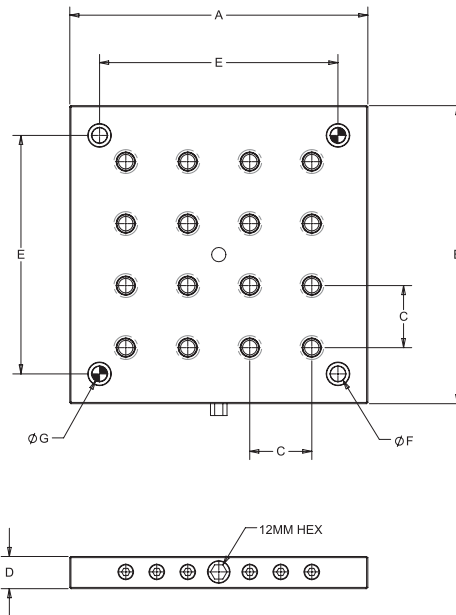
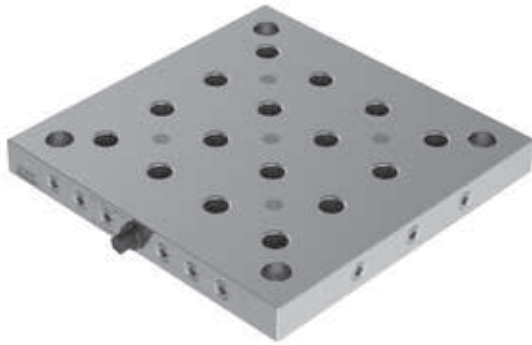


| Part Number | A (mm) | B (mm) | C (mm) | D (mm) | Mounting Holes | E (mm) | F (mm) | G (mm) | H (mm) | Weight lbs (kg) | Max. Torque ft*lbs (Nm) | Pull Stud | Fixture-Pro Compatible |
|-------------|--------|--------|--------|--------|----------------|--------|--------|--------|--------|-----------------|-------------------------|-----------|------------------------|
| QL-100255 | 384 | 192 | 96 | 27 | No | - | - | - | - | 31.49 (14.28) | 22 (30) | QL-200805 | - |
| QL-100260 | 384 | 192 | 96 | 27 | Yes | 350 | 150 | 12.7 | 12H7 | 30.75 (13.95) | 22 (30) | QL-200805 | ✓ |

✓ - Receiver will mount to 50mm QLS grid offset from center | ✓ (c) - Receiver will mount to 50mm QLS grid and be centered on grid.

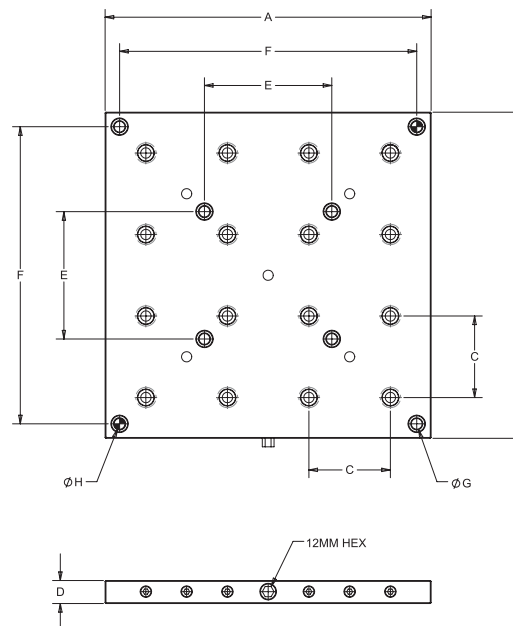


52mm Multi-Grid Receivers



| Part Number | A (mm) | B (mm) | C (mm) | D (mm) | Mounting Holes | E (mm) | F (mm) | G (mm) | Weight lbs (kg) | Max. Torque ft*lbs (Nm) | Pull Stud | Fixture-Pro Compatible |
|-------------|--------|--------|--------|--------|----------------|--------|--------|--------|-----------------|-------------------------|-----------|------------------------|
| QL-300318 | 250 | 250 | 52 | 27 | No | - | - | - | 25.3 (11.5) | 22 (30) | QL-200800 | - |
| QL-300320 | 250 | 250 | 52 | 27 | Yes | 200 | 12.7 | 12H7 | 23.7 (10.8) | 22 (30) | QL-200800 | ✓ (c) |

96mm Multi-Grid Receivers



| Part Number | A (mm) | B (mm) | C (mm) | D (mm) | Mounting Holes | E (mm) | F (mm) | G (mm) | H (mm) | Weight lbs (kg) | Max. Torque ft*lbs (Nm) | Pull Stud | Fixture-Pro Compatible |
|-------------|--------|--------|--------|--------|----------------|--------|--------|--------|--------|-----------------|-------------------------|-----------|------------------------|
| QL-300325 | 384 | 384 | 96 | 27 | No | - | - | - | - | 62.3 (28.2) | 22 (30) | QL-200805 | - |
| QL-300330 | 384 | 384 | 96 | 27 | Yes | 150 | 350 | 12.7 | 12H7 | 60.1 (27.3) | 22 (30) | QL-200805 | ✓ |

✓ - Receiver will mount to 50mm QLS grid offset from center | ✓ (c) - Receiver will mount to 50mm QLS grid and be centered on grid.

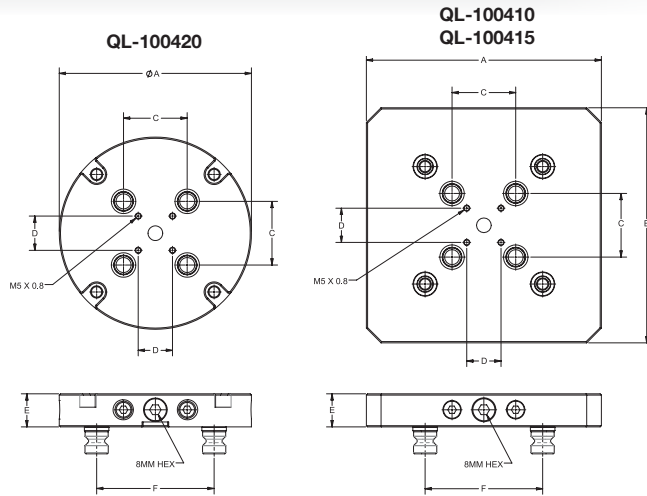


Reduction Receivers

Reduction Receivers function as adapters to allow tooling utilizing the smaller 52mm pattern to be mounted on 96mm pattern receivers.

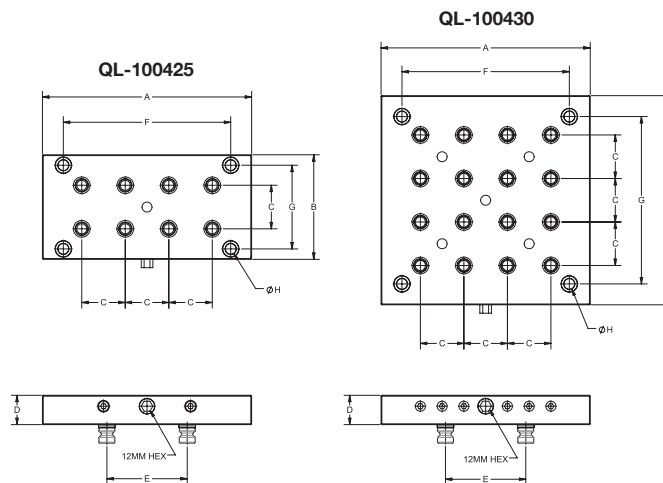
- Material: Alloy Steel
- Heat Treat: Case Hardened, Rc 58-62
- Thickness Tolerance: ±.01mm
- Pull Studs Included

96-52mm Reduction Receivers



| Part Number | A (mm) | B (mm) | C (mm) | D (mm) | E (mm) | F (mm) | Weight lbs (kg) | Max. Torque ft*lbs (Nm) | Pull Stud |
|-------------|--------|--------|--------|--------|--------|--------|-----------------|-------------------------|-----------------------|
| QL-100410 | 192 | 192 | 52 | 28 | 27 | 96 | 15.71 (7.13) | 22 (30) | QL-200800 / QL-200805 |
| QL-100415 | 150 | 126 | 52 | 28 | 27 | 96 | 7.72 (3.50) | 22 (30) | QL-200800 / QL-200805 |
| QL-100420 | 157 | - | 52 | 28 | 27 | 96 | 7.90 (3.58) | 22 (30) | QL-200800 / QL-200805 |

96-52mm Multi-Loc Reduction Receivers



| Part Number | A (mm) | B (mm) | C (mm) | D (mm) | E (mm) | F (mm) | G (mm) | H (mm) | Weight lbs (kg) | Max. Torque ft*lbs (Nm) | Pull Stud |
|-------------|--------|--------|--------|--------|--------|--------|--------|--------|-----------------|-------------------------|-----------------------|
| QL-100425 | 250 | 125 | 52 | 35 | 96 | 200 | 100 | 12.7 | 16.27 (7.38) | 22 (30) | QL-200800 / QL-200805 |
| QL-100430 | 250 | 250 | 52 | 35 | 96 | 200 | 200 | 12.7 | 32.65 (14.81) | 22 (30) | QL-200800 / QL-200805 |

QUICK CHANGE FIXTURING » QUICK-LOC™

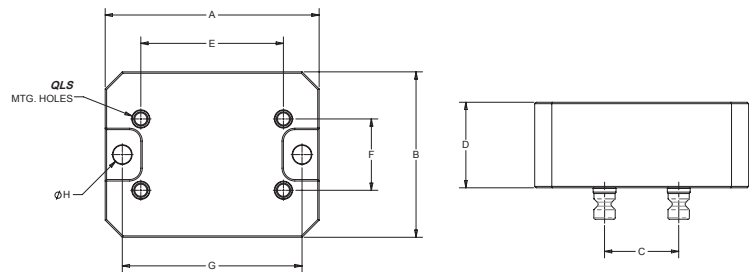


Risers

Quick-Loc™ Risers provide a means of raising tooling up from the machine table to gain greater part access. Rectangular and round styles are available. The topside mounting holes will accept standard Quick-Loc™ Receivers.

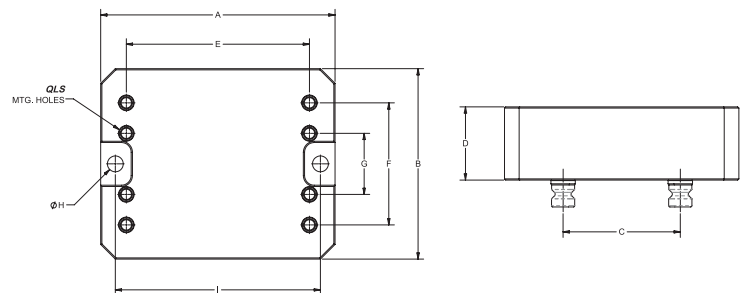
- Material: 6061 Aluminum
- Finish: Black Anodize
- Thickness Tolerance: ±.01mm
- Pull Studs Included

52mm Rectangular Risers



| Part Number | A (mm) | B (mm) | C (mm) | D (mm) | E (mm) | F (mm) | G (mm) | H (mm) | Weight lbs (kg) | Pull Stud |
|-------------|--------|--------|--------|--------|--------|--------|--------|--------|-----------------|-----------|
| QL-200100 | 150 | 116 | 52 | 60 | 100 | 50 | 126 | 13 | 5.74 (2.60) | QL-200800 |
| QL-200105 | 150 | 116 | 52 | 100 | 100 | 50 | 126 | 13 | 9.37 (4.25) | QL-200800 |

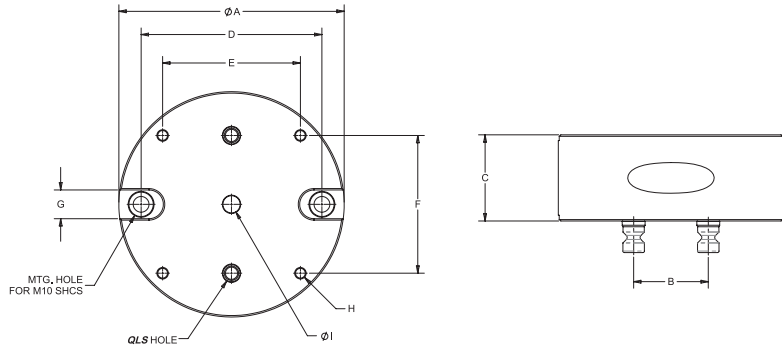
96mm Rectangular Risers



| Part Number | A (mm) | B (mm) | C (mm) | D (mm) | E (mm) | F (mm) | G (mm) | H (mm) | I (mm) | Weight lbs (kg) | Pull Stud |
|-------------|--------|--------|--------|--------|--------|--------|--------|--------|--------|-----------------|-----------|
| QL-200130 | 192 | 156 | 96 | 60 | 150 | 100 | 50 | 13 | 168 | 9.91 (4.50) | QL-200805 |
| QL-200135 | 192 | 156 | 96 | 100 | 150 | 100 | 50 | 13 | 168 | 16.76 (7.60) | QL-200805 |

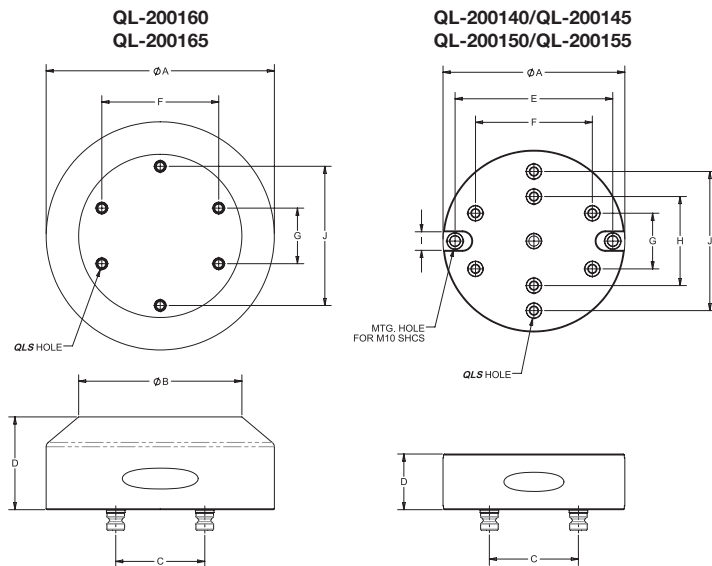


52mm Round Risers



| Part Number | A (mm) | B (mm) | C (mm) | D (mm) | E (mm) | F (mm) | G (mm) | H (mm) | I (mm) | Weight lbs (kg) | Pull Stud |
|-------------|--------|--------|--------|--------|--------|--------|--------|--------|--------|-----------------|-----------|
| QL-200110 | 116 | 52 | 60 | 96 | – | 96 | 20 | – | 12 | 3.78 (1.71) | QL-200800 |
| QL-200115 | 116 | 52 | 100 | 96 | – | 96 | 20 | – | 12 | 6.22 (2.82) | QL-200800 |
| QL-200120 | 157 | 52 | 60 | 126 | 96 | 96 | 20 | M8 | 12 | 6.62 (3.00) | QL-200800 |
| QL-200125 | 157 | 52 | 100 | 126 | 96 | 96 | 20 | M8 | 12 | 11.4 (5.17) | QL-200800 |

96mm Round Risers



| Part Number | A (mm) | B (mm) | C (mm) | D (mm) | E (mm) | F (mm) | G (mm) | H (mm) | I (mm) | J (mm) | Weight lbs (kg) | Pull Stud |
|-------------|--------|--------|--------|--------|--------|--------|--------|--------|--------|--------|-----------------|-----------|
| QL-200140 | 176 | – | 96 | 60 | 150 | 126 | 60 | 96 | 20 | 150 | 8.25 (3.74) | QL-200805 |
| QL-200145 | 176 | – | 96 | 100 | 150 | 126 | 60 | 96 | 20 | 150 | 14.00 (6.35) | QL-200805 |
| QL-200150 | 196 | – | 96 | 60 | 170 | 126 | 60 | 96 | 20 | 150 | 10.31 (4.68) | QL-200805 |
| QL-200155 | 196 | – | 96 | 100 | 170 | 126 | 60 | 96 | 20 | 150 | 17.59 (7.98) | QL-200805 |
| QL-200160 | 246 | 176 | 96 | 60 | – | 126 | 60 | – | – | 150 | 14.40 (6.53) | QL-200805 |
| QL-200165 | 246 | 176 | 96 | 100 | – | 126 | 60 | – | – | 150 | 25.94 (11.77) | QL-200805 |

QUICK CHANGE FIXTURING » QUICK-LOC™

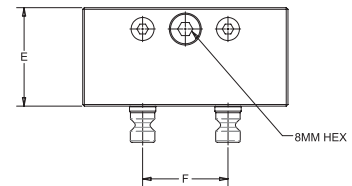
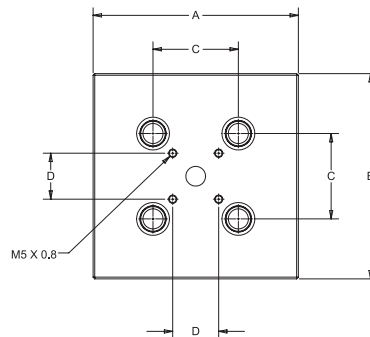


Integrated Risers

Quick-Loc™ Integrated Risers provide a means of raising tooling up from the machine table to gain greater part access. Square, rectangular and round styles are available. These risers feature a Quick-Loc™ Receiver built directly into the top of the riser body.

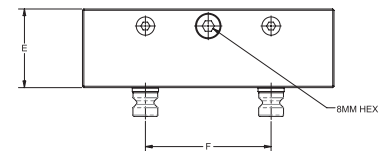
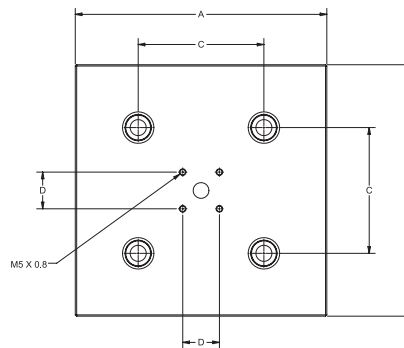
- Material: Alloy Steel
- Heat Treat: Case Hardened, Rc 58-62
- Thickness Tolerance: ±.01mm
- Pull Studs Included

52mm Square Integrated Risers



| Part Number | A (mm) | B (mm) | C (mm) | D (mm) | E (mm) | F (mm) | Weight lbs (kg) | Max.Torque ft*lbs (Nm) | Pull Stud |
|-------------|--------|--------|--------|--------|--------|--------|-----------------|------------------------|-----------|
| QL-200200 | 104 | 104 | 52 | 28 | 60 | 52 | 10.67 (4.84) | 22 (30) | QL-200800 |
| QL-200205 | 104 | 104 | 52 | 28 | 100 | 52 | 17.85 (8.10) | 22 (30) | QL-200800 |
| QL-200210 | 125 | 125 | 52 | 28 | 60 | 52 | 15.35 (6.96) | 22 (30) | QL-200800 |
| QL-200215 | 125 | 125 | 52 | 28 | 100 | 52 | 26.01 (11.80) | 22 (30) | QL-200800 |

96mm Square Integrated Risers

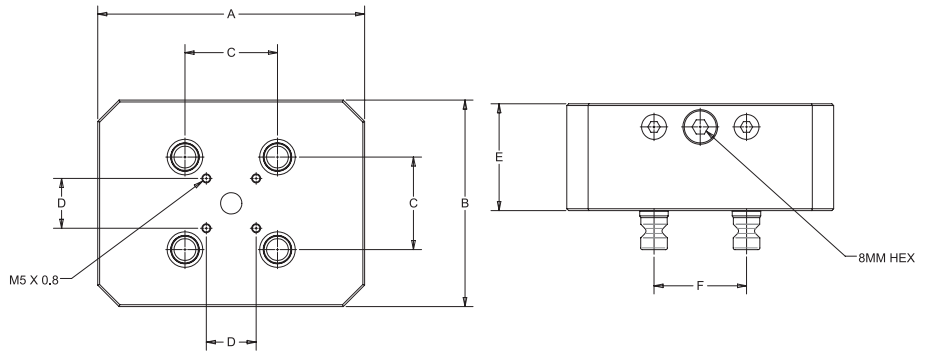


| Part Number | A (mm) | B (mm) | C (mm) | D (mm) | E (mm) | F (mm) | Weight lbs (kg) | Max.Torque ft*lbs (Nm) | Pull Stud |
|-------------|--------|--------|--------|--------|--------|--------|-----------------|------------------------|-----------|
| QL-200220 | 192 | 192 | 96 | 28 | 60 | 96 | 36.96 (16.76) | 22 (30) | QL-200805 |
| QL-200225 | 192 | 192 | 96 | 28 | 100 | 96 | 61.88 (28.07) | 22 (30) | QL-200805 |

QUICK CHANGE FIXTURING » QUICK-LOC™

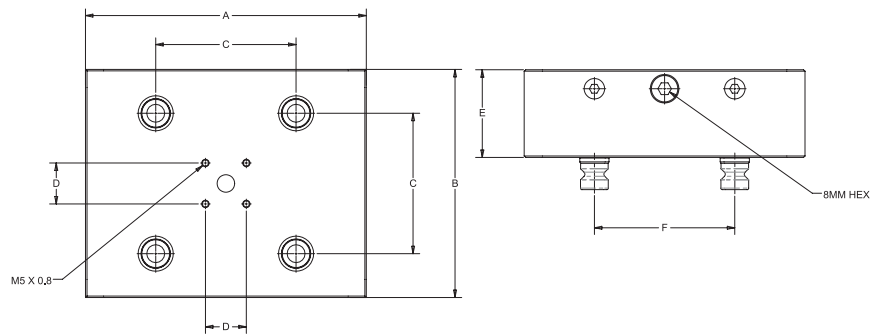


52mm Rectangular Integrated Risers



| Part Number | A (mm) | B (mm) | C (mm) | D (mm) | E (mm) | F (mm) | Weight lbs (kg) | Max.Torque ft*lbs (Nm) | Pull Stud |
|-------------|--------|--------|--------|--------|--------|--------|-----------------|------------------------|-----------|
| QL-200230 | 150 | 116 | 52 | 28 | 60 | 52 | 17.00 (7.71) | 22 (30) | QL-200800 |
| QL-200235 | 150 | 116 | 52 | 28 | 100 | 52 | 28.63 (12.99) | 22 (30) | QL-200800 |

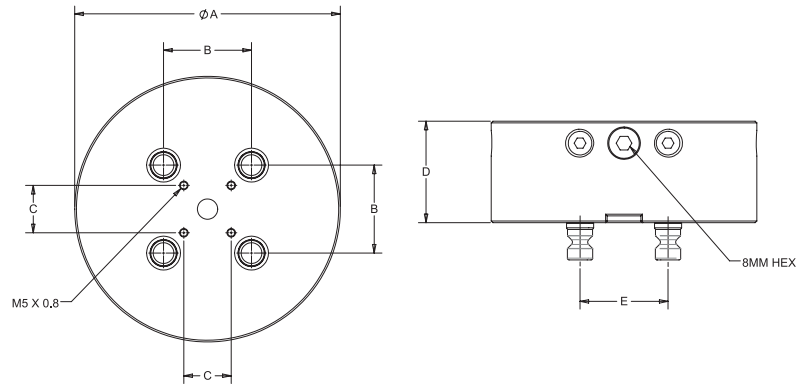
96mm Rectangular Integrated Risers



| Part Number | A (mm) | B (mm) | C (mm) | D (mm) | E (mm) | F (mm) | Weight lbs (kg) | Max.Torque ft*lbs (Nm) | Pull Stud |
|-------------|--------|--------|--------|--------|--------|--------|-----------------|------------------------|-----------|
| QL-200240 | 192 | 156 | 96 | 28 | 60 | 96 | 30 (13.64) | 22 (30) | QL-200805 |
| QL-200245 | 192 | 156 | 96 | 28 | 100 | 96 | 42 (19.05) | 22 (30) | QL-200805 |

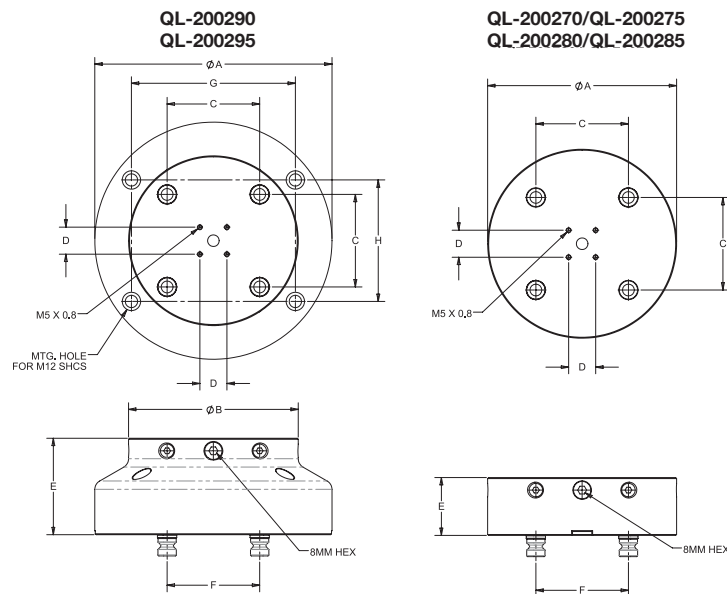
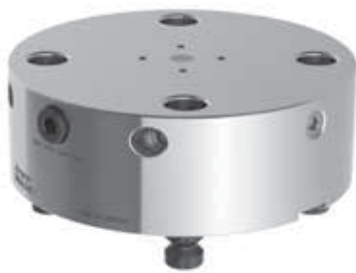


52mm Round Integrated Risers



| Part Number | A (mm) | B (mm) | C (mm) | D (mm) | E (mm) | Weight lbs (kg) | Max.Torque ft*lbs (Nm) | Pull Stud |
|-------------|--------|--------|--------|--------|--------|-----------------|------------------------|-----------|
| QL-200250 | 116 | 52 | 28 | 60 | 52 | 10.22 (4.64) | 22 (30) | QL-200800 |
| QL-200255 | 116 | 52 | 28 | 100 | 52 | 17.41 (7.90) | 22 (30) | QL-200800 |
| QL-200260 | 157 | 52 | 28 | 60 | 52 | 19.03 (8.63) | 22 (30) | QL-200800 |
| QL-200265 | 157 | 52 | 28 | 100 | 52 | 32.27 (14.64) | 22 (30) | QL-200800 |

96mm Round Integrated Risers



| Part Number | A (mm) | B (mm) | C (mm) | D (mm) | E (mm) | F (mm) | G (mm) | H (mm) | Weight lbs (kg) | Max.Torque ft*lbs (Nm) | Pull Stud |
|-------------|--------|--------|--------|--------|--------|--------|--------|--------|-----------------|------------------------|-----------|
| QL-200270 | 176 | - | 96 | 28 | 60 | 96 | - | - | 23.91 (10.85) | 22 (30) | QL-200805 |
| QL-200275 | 176 | - | 96 | 28 | 100 | 96 | - | - | 40.57 (18.40) | 22 (30) | QL-200805 |
| QL-200280 | 196 | - | 96 | 28 | 60 | 96 | - | - | 30.17 (13.68) | 22 (30) | QL-200805 |
| QL-200285 | 196 | - | 96 | 28 | 100 | 96 | - | - | 50.85 (23.07) | 22 (30) | QL-200805 |
| QL-200290 | 246 | 176 | 96 | 28 | 60 | 96 | 170 | 126 | 31.78 (14.42) | 22 (30) | QL-200805 |
| QL-200295 | 246 | 176 | 96 | 28 | 100 | 96 | 170 | 126 | 60.91 (27.63) | 22 (30) | QL-200805 |

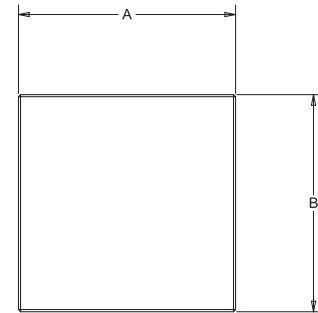
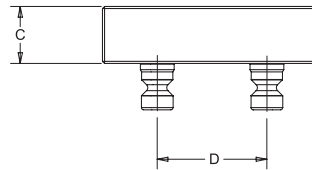
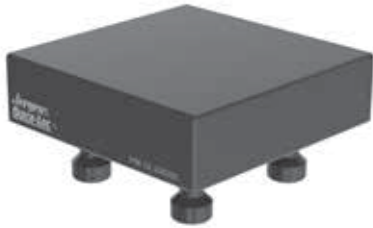


Support Pallets

Support Pallets function as machinable blanks. These are intended to be modified to accept various tooling components and clamping devices. They provide an ideal base for building fixtures that will be mounted with the Quick-Loc™ system. Square and round styles are available.

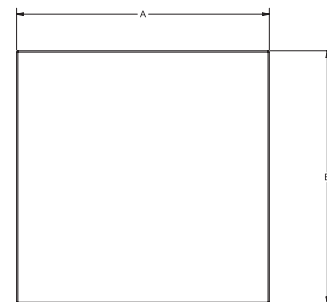
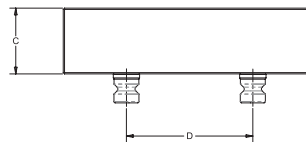
- Material: Low Carbon Steel
- Thickness Tolerance: ±.13mm
- Pull Studs Included

52mm Square Support Pallets



| Part Number | A (mm) | B (mm) | C (mm) | D (mm) | Weight lbs (kg) | Pull Stud |
|-------------|--------|--------|--------|--------|-----------------|-----------|
| QL-200300 | 96 | 96 | 27 | 52 | 4.40 (2.00) | QL-200800 |
| QL-200305 | 96 | 96 | 50 | 52 | 8.05 (3.65) | QL-200800 |
| QL-200310 | 104 | 104 | 27 | 52 | 5.15 (2.34) | QL-200800 |
| QL-200315 | 104 | 104 | 50 | 52 | 9.43 (4.28) | QL-200800 |
| QL-200320 | 156 | 156 | 27 | 52 | 11.42 (5.18) | QL-200800 |
| QL-200325 | 156 | 156 | 50 | 52 | 21.04 (9.54) | QL-200800 |

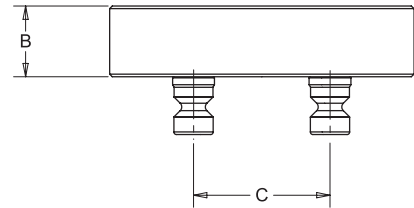
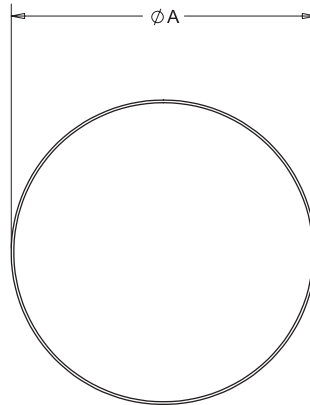
96mm Square Support Pallets



| Part Number | A (mm) | B (mm) | C (mm) | D (mm) | Weight lbs (kg) | Pull Stud |
|-------------|--------|--------|--------|--------|-----------------|-----------|
| QL-200500 | 156 | 156 | 27 | 96 | 11.42 (5.18) | QL-200805 |
| QL-200505 | 156 | 156 | 50 | 96 | 21.04 (9.54) | QL-200805 |
| QL-200510 | 192 | 192 | 27 | 96 | 18.05 (8.19) | QL-200805 |
| QL-200515 | 192 | 192 | 50 | 96 | 31.90 (14.47) | QL-200805 |
| QL-200520 | 246 | 246 | 27 | 96 | 28.30 (12.84) | QL-200805 |
| QL-200525 | 246 | 246 | 50 | 96 | 52.24 (23.70) | QL-200805 |

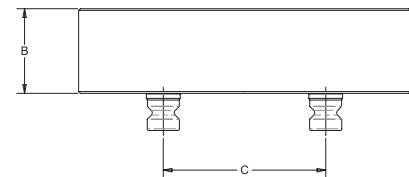
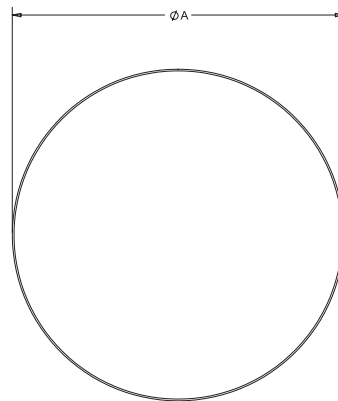


52mm Round Support Pallets



| Part Number | A (mm) | B (mm) | C (mm) | Weight lbs (kg) | Pull Stud |
|-------------|--------|--------|--------|-----------------|-----------|
| QL-200400 | 116 | 27 | 52 | 4.07 (1.85) | QL-200800 |
| QL-200405 | 116 | 50 | 52 | 7.43 (3.37) | QL-200800 |
| QL-200410 | 157 | 27 | 52 | 9.11 (4.13) | QL-200800 |
| QL-200415 | 157 | 50 | 52 | 16.77 (7.61) | QL-200800 |

96mm Round Support Pallets

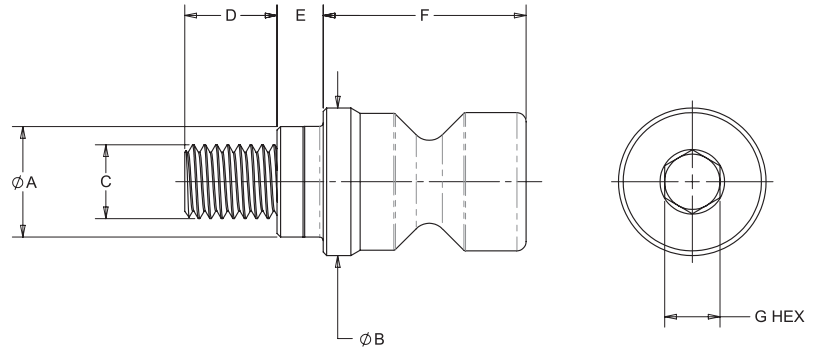


| Part Number | A (mm) | B (mm) | C (mm) | Weight lbs (kg) | Pull Stud |
|-------------|--------|--------|--------|-----------------|-----------|
| QL-200600 | 157 | 27 | 96 | 9.11 (4.13) | QL-200805 |
| QL-200605 | 157 | 50 | 96 | 16.77 (7.61) | QL-200805 |
| QL-200610 | 196 | 27 | 96 | 17.65 (8.01) | QL-200805 |
| QL-200615 | 196 | 50 | 96 | 33.24 (15.08) | QL-200805 |
| QL-200620 | 246 | 27 | 96 | 28.30 (12.84) | QL-200805 |
| QL-200625 | 246 | 50 | 96 | 52.24 (23.70) | QL-200805 |

QUICK CHANGE FIXTURING » QUICK-LOC™

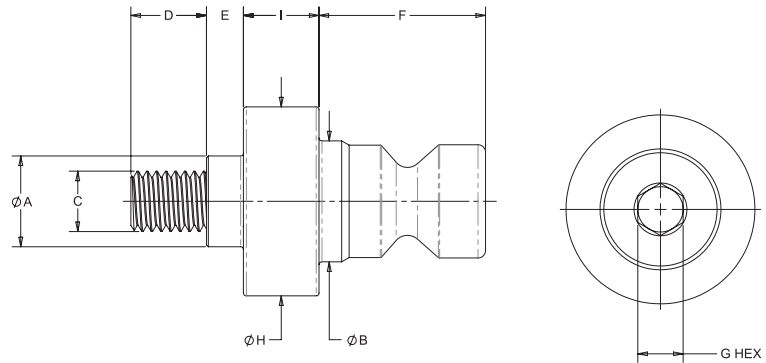
Pull Studs

- Material: A2 Tool Steel
- Heat Treat: Thru Hardened, Rc 50-54
- Finish: Black Oxide



| Part Number | A (mm) | B (mm) | C | D (mm) | E (mm) | F (mm) | G (mm) | Weight lbs (kg) |
|-------------|--------|--------|-----------|--------|--------|--------|--------|-----------------|
| QL-200800 | 12 | 16 | M8 x 1.25 | 10 | 5 | 22 | 6 | .06 (.03) |
| QL-200805 | 16 | 20 | M10 x 1.5 | 14 | 5 | 22 | 8 | .10 (.05) |

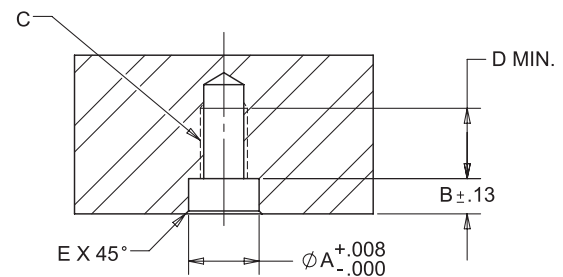
Spacer Studs



| Part Number | A (mm) | B (mm) | C | D (mm) | E (mm) | F (mm) | G (mm) | H (mm) | I (mm) | Weight lbs (kg) |
|-------------|--------|--------|-----------|--------|--------|--------|--------|--------|--------|-----------------|
| QL-200810 | 12 | 16 | M8 x 1.25 | 10 | 5 | 22 | 6 | 25 | 10 | .14 (.06) |
| QL-200815 | 16 | 20 | M10 x 1.5 | 14 | 5 | 22 | 8 | 29 | 10 | .21 (.10) |

Pull Stud Installation Dimensions

| Part Number | A (mm) | B (mm) | C | D (mm) | E (mm) |
|-----------------------|--------|--------|-----------|--------|--------|
| QL-200800 / QL-200810 | 12 | 6 | M8 x 1.25 | 12 | 0.8 |
| QL-200805 / QL-200815 | 16 | 6 | M10 x 1.5 | 16 | 0.8 |



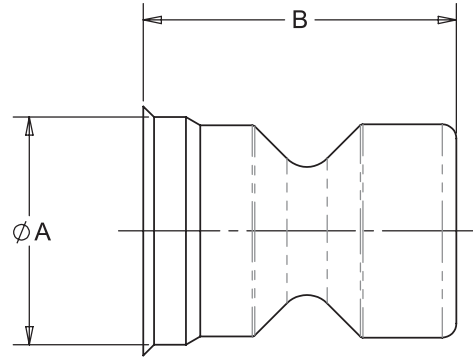
*tolerances in millimeters

QUICK CHANGE FIXTURING » QUICK-LOC™



Plugs

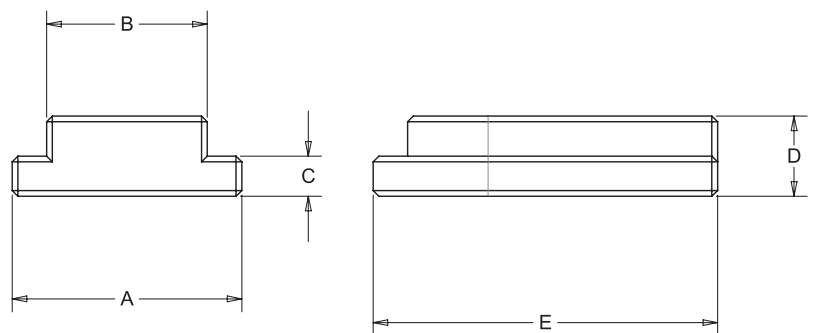
- Protects unused and exposed pull stud holes from filling with contaminants
- Material: Delrin or 6061 Aluminum



| Part Number | A (mm) | B (mm) | Material | Weight lbs (kg) |
|-------------|--------|--------|----------|-----------------|
| QL-200820 | 16 | 22 | Plastic | .01 (.005) |
| QL-200825 | 20 | 22 | Plastic | .02 (.01) |
| QL-200830 | 16 | 22 | Aluminum | .02 (.01) |
| QL-200835 | 20 | 22 | Aluminum | .03 (.014) |

Keys

- Used for aligning any of the Quick-Loc elements with bottom keyways to the t-slots of a machine table or rotary face.
- Material: Low Carbon Steel
- Heat Treat: Case Hardened, Rc 58-62



| Part Number | A (mm) | B (mm) | C (mm) | D (mm) | E (mm) | Weight lbs (kg) |
|-------------|--------|--------|--------|--------|--------|-----------------|
| QL-200840 | 20 | 14 | 3.5 | 7 | 31 | .02 (.01) |
| QL-200845 | 20 | 16 | 3.5 | 7 | 31 | .03 (.014) |
| QL-200850 | 20 | 18 | 3.5 | 7 | 31 | .03 (.014) |
| QL-200855 | 20 | 20 | - | 7 | 31 | .04 (.02) |

QUICK CHANGE FIXTURING » QUICK-LOC™

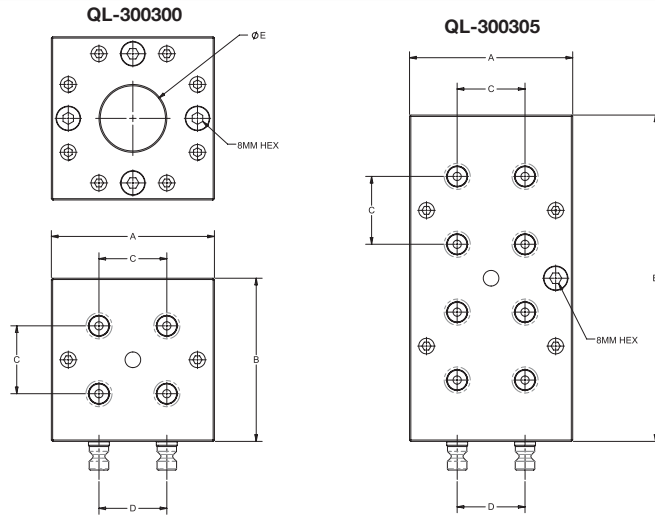


Cubes & Twin Bases

Quick-Loc™ Cubes and Twin Bases function like miniature quick change tooling columns. They are well suited for multiple fixture setups as well as 4th axis applications in VMC's. The upright faces feature Quick-Loc™ Receivers built directly into the body of the cube/base. Available with 2, 3, or 4 sides.

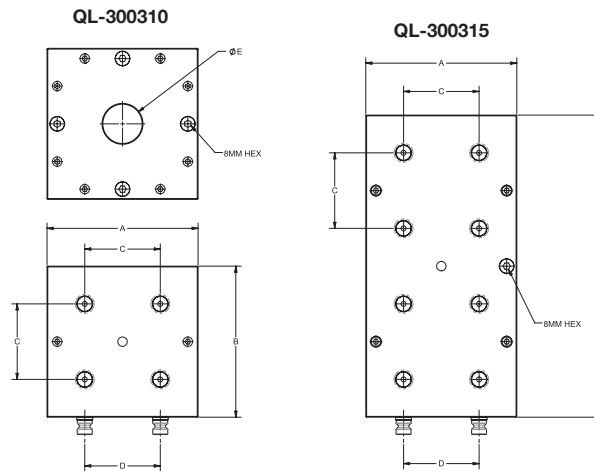
- Material: Alloy Steel
- Heat Treat: Case Hardened, Rc 58-62
- Pull Studs Included

52mm Cubes



| Part Number | A (mm) | B (mm) | C (mm) | D (mm) | E (mm) | Weight lbs (kg) | Max. Torque ft*lbs (Nm) | Pull Stud |
|-------------|--------|--------|--------|--------|--------|-----------------|-------------------------|-----------|
| QL-300300 | 125 | 125 | 52 | 52 | 50H7 | 25.29 (11.47) | 22 (30) | QL-200800 |
| QL-300305 | 125 | 250 | 52 | 52 | 50H7 | 50.55 (22.93) | 22 (30) | QL-200800 |

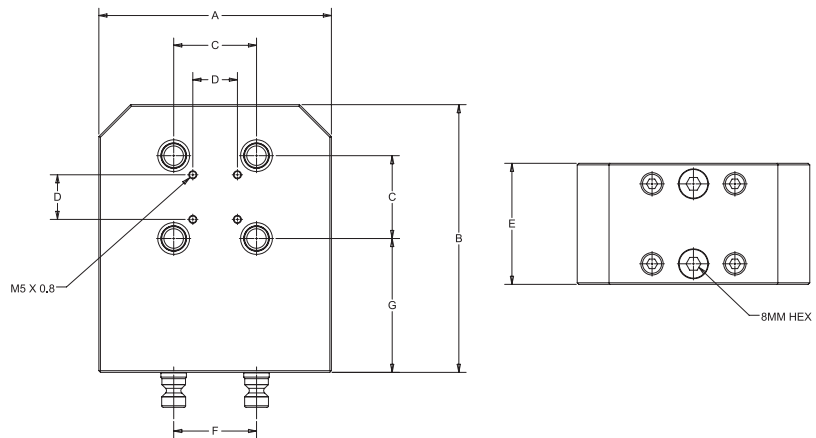
96mm Cubes



| Part Number | A (mm) | B (mm) | C (mm) | D (mm) | E (mm) | Weight lbs (kg) | Max. Torque ft*lbs (Nm) | Pull Stud |
|-------------|--------|--------|--------|--------|--------|-----------------|-------------------------|-----------|
| QL-300310 | 192 | 192 | 96 | 96 | 50H7 | 106.8 (48.4) | 22 (30) | QL-200805 |
| QL-300315 | 192 | 384 | 96 | 96 | 50H7 | 216.8 (98.3) | 22 (30) | QL-200805 |

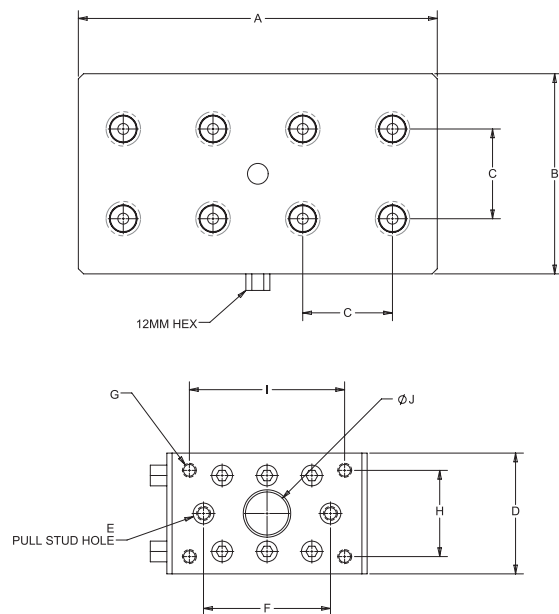


Twin Base



| Part Number | A (mm) | B (mm) | C (mm) | D (mm) | E (mm) | F (mm) | G (mm) | Weight lbs (kg) | Max. Torque ft*lbs (Nm) | Pull Stud |
|-------------|--------|--------|--------|--------|--------|--------|--------|-----------------|-------------------------|-----------|
| QL-400200 | 144 | 168 | 52 | 28 | 76 | 52 | 84 | 29.62 (13.44) | 22 (30) | QL-200800 |
| QL-400205 | 190 | 247 | 96 | 28 | 116 | 96 | 110 | 91.63 (41.56) | 22 (30) | QL-200805 |

Two Sided

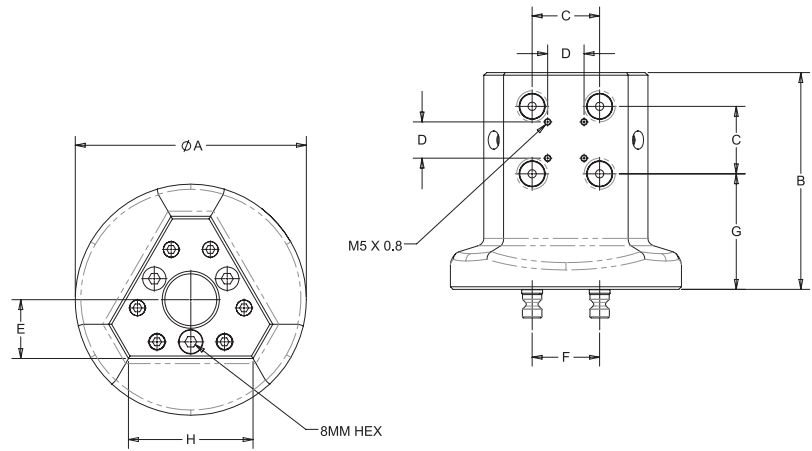


| Part Number | A (mm) | B (mm) | C (mm) | D (mm) | E | F (mm) | G (mm) | H (mm) | I (mm) | J (mm) | Weight lbs (kg) | Max. Torque ft*lbs (Nm) | Pull Stud |
|-------------|--------|--------|--------|--------|-----------|---------|-----------|--------|--------|--------|-----------------|-------------------------|-----------|
| QL-400210 | 208 | 116 | 52 | 70 | QL-200800 | 73.538 | M8 X 1.25 | 50 | 90 | 25H7 | 24.77 (11.24) | 22 (30) | QL-200800 |
| QL-400215 | 384 | 190 | 96 | 70 | QL-200805 | 135.765 | M10 X 1.5 | 50 | 140 | 25H7 | 80.76 (36.63) | 22 (30) | QL-200805 |

QUICK CHANGE FIXTURING » QUICK-LOC™



Tri Cube



| Part Number | A (mm) | B (mm) | C (mm) | D (mm) | E (mm) | F (mm) | G (mm) | H (mm) | Weight lbs (kg) | Max. Torque ft*lbs (Nm) | Pull Stud |
|-------------|--------|--------|--------|--------|--------|--------|--------|--------|-----------------|-------------------------|-----------|
| QL-400300 | 178 | 167 | 52 | 28 | 45 | 52 | 89 | 96 | 27.58 (12.51) | 22 (30) | QL-200800 |
| QL-400305 | 247 | 247 | 96 | 28 | 77 | 96 | 110 | 157 | 99.32 (45.05) | 22 (30) | QL-200805 |

QUICK CHANGE FIXTURING » QUICK-LOC™

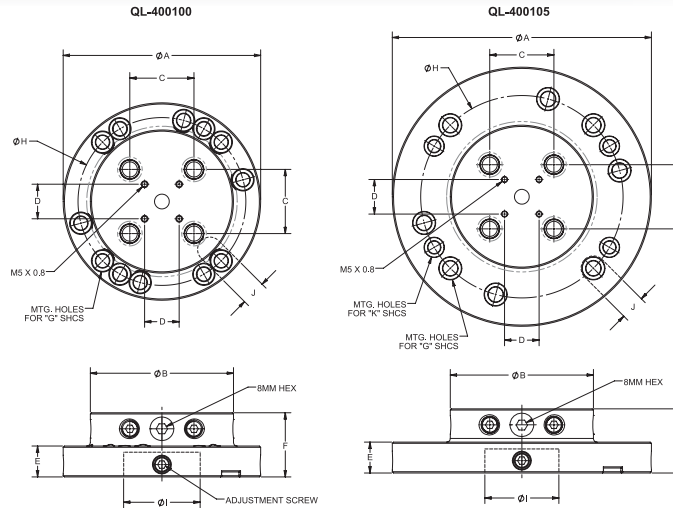


Rotary Receivers

Quick-Loc™ Rotary Receivers provide a quick change platform specifically suited for rotary indexers and 5-axis machines. When mounted on a Zero True Adapter, these receivers can be adjusted to run on center using the side adjustment screws in the base of the receiver.

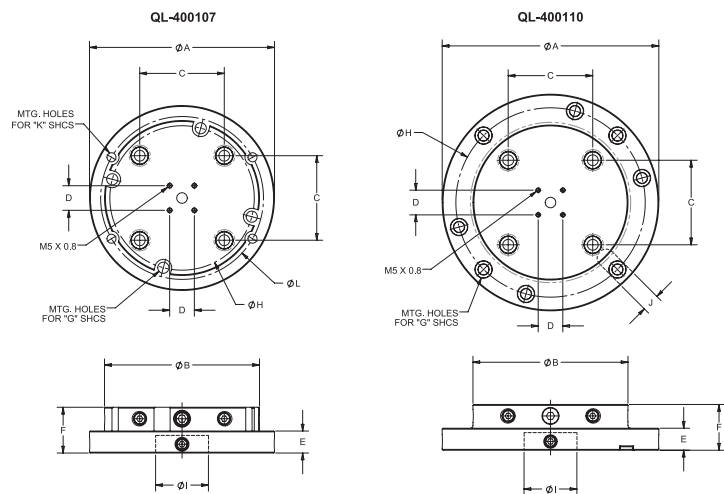
- Material: Alloy Steel
- Heat Treat: Case Hardened

52mm Rotary



| Part Number | A (mm) | B (mm) | C (mm) | D (mm) | E (mm) | F (mm) | G | H (mm) | I (mm) | J (mm) | K | Weight lbs (kg) | Max. Torque ft*lbs (Nm) | Pull Stud |
|-------------|--------|--------|--------|--------|--------|--------|-------------|--------|--------|--------|------|-----------------|-------------------------|-----------|
| QL-400100 | 160 | 116 | 52 | 28 | 25 | 52 | M10 or 3/8" | 136 | 60 | 20 | - | 11.15 (5.06) | 22 (30) | QL-200800 |
| QL-400105 | 210 | 116 | 52 | 28 | 25 | 52 | M12 | 164 | 60 | 20 | 3/8" | 16.72 (7.58) | 22 (30) | QL-200800 |

96mm Rotary

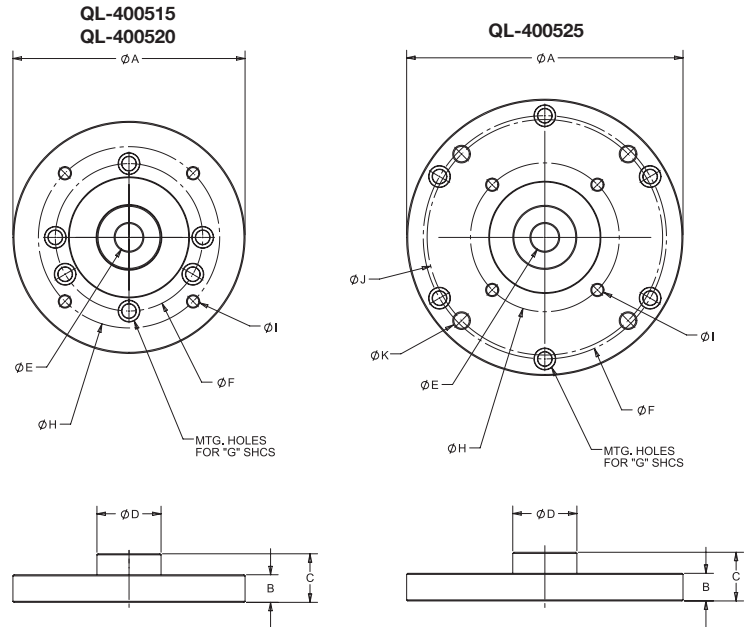


| Part Number | A (mm) | B (mm) | C (mm) | D (mm) | E (mm) | F (mm) | G | H (mm) | I (mm) | J (mm) | K | L (mm) | Weight lbs (kg) | Max. Torque ft*lbs (Nm) | Pull Stud |
|-------------|--------|--------|--------|--------|--------|--------|-----|--------|--------|--------|------|--------|-----------------|-------------------------|-----------|
| QL-400107 | 210 | 176 | 96 | 28 | 25 | 52 | M12 | 164 | 60 | - | 3/8" | 185 | 22.32 (10.58) | 22 (30) | QL-200805 |
| QL-400110 | 246 | 176 | 96 | 28 | 25 | 52 | M12 | 215 | 120 | 20 | - | - | 26.12 (11.85) | 22 (30) | QL-200805 |

QUICK CHANGE FIXTURING » QUICK-LOC™



Rotary Zero True Adapters

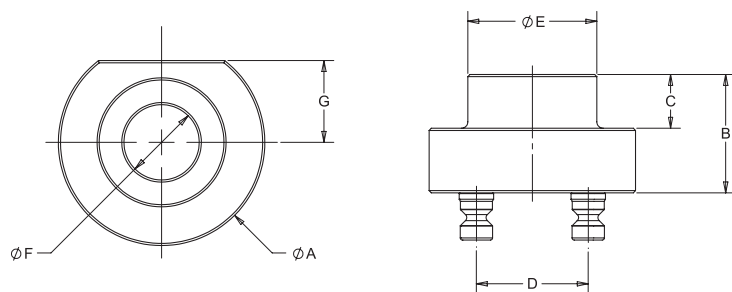


| Part Number | A (mm) | B (mm) | C (mm) | D (mm) | E (mm) | F (mm) | G (mm) | H (mm) | I (mm) | J (mm) | K (mm) | Weight lbs (kg) |
|-------------|--------|--------|--------|--------|--------|--------|--------|--------|------------|--------|------------|-----------------|
| QL-400515 | 160 | 25 | 44 | 58 | 25 | 133.4 | M12 | 136 | M10 x 1.5 | - | - | 8.73 (3.96) |
| QL-400520 | 210 | 25 | 44 | 58 | 25 | 133.4 | M12 | 164 | M12 x 1.75 | - | - | 14.93 (6.77) |
| QL-400525 | 250 | 25 | 44 | 58 | 25 | 220 | M12 | 164 | M12 x 1.75 | 215 | M12 x 1.75 | 20.12 (9.13) |

Alignment Tool

The alignment tool provide accurate datum surfaces for measuring Quick-Loc system setups. These can be used to check critical aspects of a setup such as position or runout.

- Material: Alloy Steel
- Heat Treat: Case Hardened
- Pull Studs Included



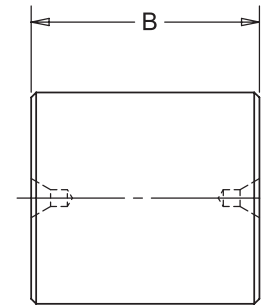
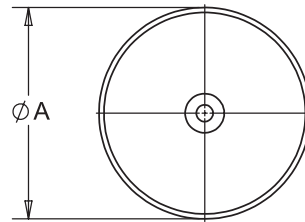
| Part Number | A (mm) | B (mm) | C (mm) | D (mm) | E (mm) | F (mm) | G (mm) | Weight lbs (kg) | Pull Stud |
|-------------|--------|--------|--------|--------|--------|--------|--------|-----------------|-----------|
| QL-400530 | 96 | 55 | 25 | 52 | 60 | 35 | 38 | 6.02 (2.73) | QL-200800 |
| QL-400535 | 160 | 55 | 25 | 96 | 60 | 35 | 64 | 11.38 (5.16) | QL-200805 |



Center Locating Pins for Rotary Receivers

- Material: Stressproof®
- Finish: Black Oxide
- Diameter Tolerance
 - Nominal Metric sizes: g5
 - Nominal Inch sizes: -.0004/-.0009"

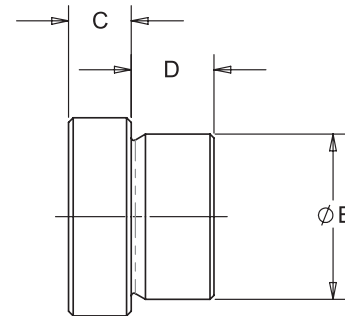
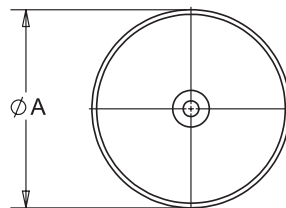
Straight Pin



| Part Number | A (mm) | B (mm) | Weight lbs (kg) |
|-------------|--------|--------|-----------------|
| QL-488500 | 60 | 65 | 3.14 (1.42) |

NOTES

Step Pin



| Part Number | A (mm) | B in (mm) | C (mm) | D (mm) | Weight lbs (kg) |
|-------------|--------|-------------|--------|--------|-----------------|
| QL-488520 | 60 | 1.9685 (50) | 19 | 25 | 1.74 (.79) |
| QL-488600 | 60 | 1.50 (38.1) | 19 | 25 | 1.39 (.63) |
| QL-488610 | 60 | 2.00 (50.8) | 19 | 25 | 1.77 (.80) |

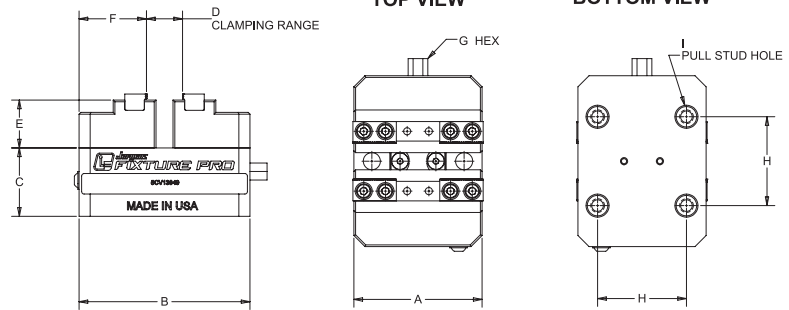


75mm Self-Centering Vise

Clamping Force: 3,500 lbs. at 50 foot lbs.

Vises can be ordered with alternate jaw types by adding one of the following suffixes to a base part number:

- **A** for aluminum soft jaws
- **H** for hardened step jaws
- **S** for steel soft jaws
- **IN** for insert jaws



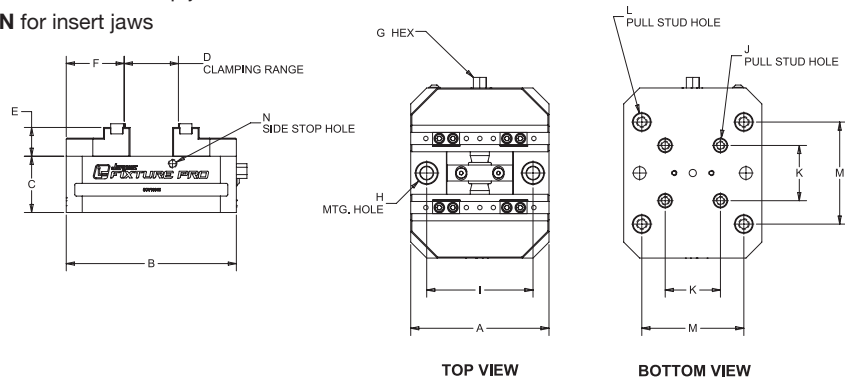
| Part Number | A (mm) | B (mm) | C (mm) | D (mm) | E (mm) | F (mm) | G (mm) | H (mm) | I (part no.) | Pull Studs Included | Weight (kg) |
|-------------|--------|--------|--------|--------|--------|--------|--------|--------|--------------|---------------------|-------------|
| 5VC13049-IN | 75 | 100 | 40 | 12-85 | 28 | 39.5 | 10 | 52 | QL-200800 | No | 3.1 |
| 5VC13050-IN | 75 | 100 | 40 | 12-85 | 28 | 39.5 | 10 | 52 | QL-200800 | Yes | 3.3 |
| 5VC13051-IN | 75 | 160 | 40 | 12-145 | 28 | 39.5 | 10 | 52 | QL-200800 | No | 4.0 |
| 5VC13052-IN | 75 | 160 | 40 | 12-145 | 28 | 39.5 | 10 | 52 | QL-200800 | Yes | 4.2 |

130mm Self-Centering Vise

Clamping Force: 3,600 lbs. at 50 foot lbs.

Vises can be ordered with alternate jaw types by adding one of the following suffixes to a base part number:

- **A** for aluminum soft jaws
- **H** for hardened step jaws
- **S** for steel soft jaws
- **IN** for insert jaws



| Part Number | A (mm) | B (mm) | C (mm) | D (mm) | E (mm) | F (mm) | G (mm) | H | I (mm) | J (part no.) | K (mm) | L (part no.) | M (mm) | Pull Studs Included | N | Weight (kg) |
|-------------|--------|--------|--------|--------|--------|--------|--------|----------|--------|--------------|--------|--------------|--------|---------------------|-----------|-------------|
| 5CV13041-IN | 130 | 160 | 53 | 12-150 | 27 | 54 | 12 | 12mm QLS | 100 | QL-200800 | 52 | QL-200805 | 96 | No | M8 X 1.25 | 7.4 |
| 5CV13042-IN | 130 | 160 | 53 | 12-150 | 27 | 54 | 12 | 12mm QLS | 100 | QL-200800 | 52 | QL-200805 | 96 | Yes (QL-200805) | M8 X 1.25 | 7.7 |
| 5CV13045-IN | 130 | 250 | 53 | 12-240 | 27 | 54 | 12 | 12mm QLS | 100 | QL-200800 | 52 | QL-200805 | 96 | No | M8 X 1.25 | 10.2 |
| 5CV13046-IN | 130 | 250 | 53 | 12-240 | 27 | 54 | 12 | 12mm QLS | 100 | QL-200800 | 52 | QL-200805 | 96 | Yes (QL-200805) | M8 X 1.25 | 10.5 |

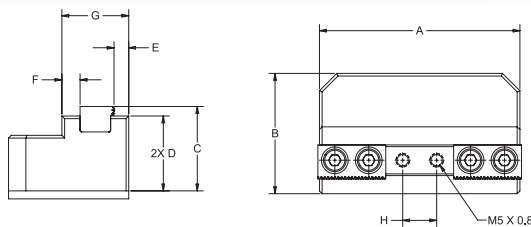


Vise Jaws & Accessories

Insert Jaw Sets for 75mm Vise

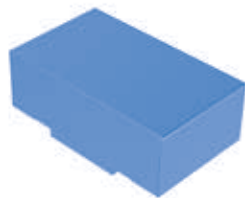


- Includes Serrated Inserts
- Alloy Steel Jaw, Thru Hardened
- Alternate Insert Styles Available
- Set Includes 2 Jaws

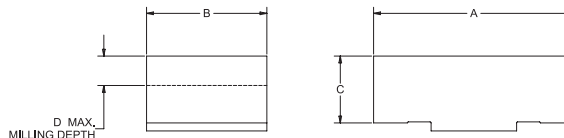


| Part Number | A (mm) | B (mm) | C (mm) | D (mm) | E (mm) | F (mm) | G (mm) | H (mm) |
|-----------------|--------|--------|--------|--------|--------|--------|--------|--------|
| 5CV13049-INSJ | 75 | 45 | 31.6 | 28 | 5.5 | 6.7 | 25 | 12.7 |
| 5CV13049-INSJ-L | 75 | 45 | 25.6 | 22 | 5.5 | 6.7 | 25 | 12.7 |

Soft Jaw Sets for 75mm Vise



- High Strength Aluminum with Blue Anodize Finish or Low Carbon Steel with Black Oxide Finish
- Set Includes 2 Jaws

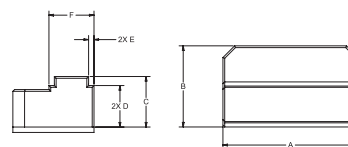


| Part Number | A (mm) | B (mm) | C (mm) | D (mm) | Material |
|-----------------|--------|--------|--------|--------|----------|
| 5CV13049-ASJ | 75 | 45 | 25 | 11 | Aluminum |
| 5CV13049-ASJ-50 | 75 | 45 | 50 | 36 | Aluminum |
| 5CV13049-SSJ | 75 | 45 | 25 | 11 | Steel |
| 5CV13049-SSJ-50 | 75 | 45 | 50 | 36 | Steel |

Step Jaw Set for 75mm Vise



- Alloy Steel, Thru Hardened, Black Oxide Finish
- Set Includes 2 Jaws



| Part Number | A (mm) | B (mm) | C (mm) | D (mm) | E (mm) | F (mm) |
|--------------|--------|--------|--------|--------|--------|--------|
| 5CV13049-HSJ | 75 | 45 | 28 | 23 | 3 | 25 |

Insert Options



Serrated

| Part Number | Lg. (mm) |
|-------------|----------|
| 5JISER.5 | 12.7 |
| 5JISER1.0 | 25.4 |
| 5JISER1.5 | 38.1 |



Peak

| Part Number | Lg. (mm) |
|-------------|----------|
| 5JIDPK.5 | 12.7 |
| 5JIDPK1.0 | 25.4 |
| 5JIDPK1.5 | 38.1 |



Scalloped

| Part Number | Lg. (mm) |
|-------------|----------|
| 5JISCA.5 | 12.7 |
| 5JISCA1.0 | 25.4 |
| 5JISCA1.5 | 38.1 |



Dovetail

| Part Number | Lg. (mm) | Angle |
|-------------|----------|-------|
| 5JIDOV.5 | 12.7 | 10° |
| 5JIDOV1.0 | 25.4 | 10° |
| 5JIDOV1.5 | 38.1 | 10° |
| 5JIDOV30.5 | 12.7 | 30° |
| 5JIDOV301.0 | 25.4 | 30° |
| 5JIDOV301.5 | 38.1 | 30° |

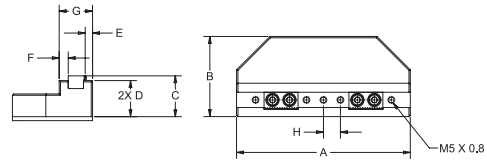


Vise Jaws & Accessories

Insert Jaw Sets for 130mm Vise

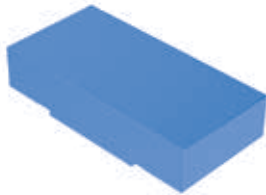


- Includes Serrated Inserts
- Alloy Steel Jaw, Thru Hardened
- Alternate Insert Styles Available, see page 29
- Set Includes 2 Jaws

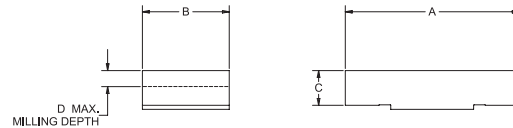


| Part Number | A (mm) | B (mm) | C (mm) | D (mm) | E (mm) | F (mm) | G (mm) | H (mm) |
|-----------------|--------|--------|--------|--------|--------|--------|--------|--------|
| 5CV13041-INSJ | 130 | 60 | 30 | 27 | 5.5 | 6.7 | 25 | 12.7 |
| 5CV13041-INSJ-L | 130 | 60 | 36 | 33 | 5.5 | 6.7 | 25 | 12.7 |

Soft Jaw Sets for 130mm Vise



- High Strength Aluminum with Blue Anodize Finish or Low Carbon Steel with Black Oxide Finish
- Set Includes 2 Jaws

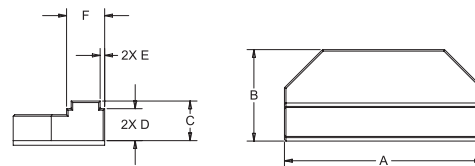


| Part Number | A (mm) | B (mm) | C (mm) | D (mm) | Material |
|-----------------|--------|--------|--------|--------|----------|
| 5CV13041-ASJ | 130 | 65 | 26 | 12 | Aluminum |
| 5CV13041-ASJ-50 | 130 | 65 | 50 | 36 | Aluminum |
| 5CV13041-SSJ | 130 | 65 | 26 | 12 | Steel |
| 5CV13041-SSJ-50 | 130 | 65 | 50 | 36 | Steel |

Step Jaw Set for 130mm Vise



- Alloy Steel, Thru Hardened, Black Oxide Finish
- Set Includes 2 Jaws

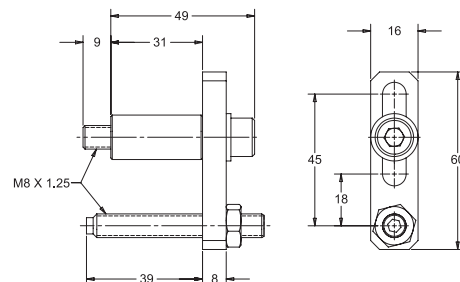


| Part Number | A (mm) | B (mm) | C (mm) | D (mm) | E (mm) | F (mm) |
|--------------|--------|--------|--------|--------|--------|--------|
| 5CV13041-HSJ | 130 | 60 | 26 | 21 | 3 | 25 |

Workstop for 130mm Vise



Part Number
5CV13041-WST



QUICK CHANGE FIXTURING » QUICK-LOC™



WHAT'S YOUR NEXT CHALLENGE?



QUICK CHANGE FIXTURING » QUICK-LOC™

Jergens Custom Design and Build Workholding

Jergens' custom design and build expertise will take your fixturing needs to the next level, gaining efficiencies from the shop floor. We start with industry-proven standard and custom products to create a solution that is "unique to you." Your next challenge is Jergens' next accomplishment.



Jergens®

MANUFACTURING EFFICIENCY

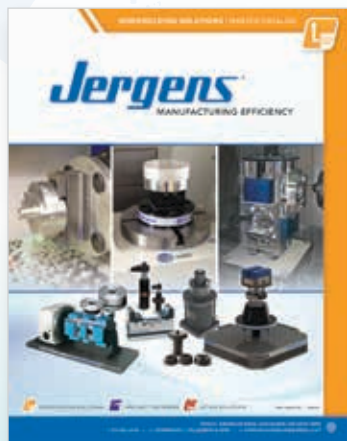
WORLD HEADQUARTERS

15700 S. WATERLOO ROAD
CLEVELAND, OH 44110-3898

 877.426.2504

 JERGENSINC.COM/WORKHOLDING

 WORKHOLDING@JERGENSINC.COM



ALSO AVAILABLE:

WORKHOLDING SOLUTIONS CATALOG
REQUEST A COPY OR DOWNLOAD AT JERGENSINC.COM

